

Features

- Lug body valve with ISO5211 direct mount actuator
- Unique wave line seat reduces torque and extends seal life
- Ductile iron body with epoxy coating and 316SS disc
- Type IP66 & IP68 weatherproof actuator
- Rugged scotch yoke construction tested for 1 million+ cycles
- Highly visible valve position indicator
- Anodized aluminum body with epoxy-polyester end covers
- Actuator factory lubricated for normal life
- Namur and ISO mounting standards
- Dry or lubricated pilot air supply

Applications

EPDM seals typically used for on-off control of water and other compatible media. NBR (Buna-N) seals typically used for air, oil, vacuum and other compatible media. FPM (Viton) seals typically used for on-off control of hydrocarbons, oils and other compatible chemicals/media. Suitable for use with ANSI/ASME Class 125/150 pipe flanges

Valves available with either spring return or double acting actuators.

Operation

Spring return valves use a pilot air pressure signal to open the valve and springs (failsafe) to close the valve when exhausting of the pilot signal. Double acting valves use air pressure to open the valve and air pressure to close the valve.

Construction

Valve Body	Epoxy coated ductile iron
Disc	316 stainless steel CF8M
Disc Seat/Liner	Options: EPDM, NBR (Buna-N), FPM (Viton)
Stem/Stem Seals	420 stainless steel / V-ring (same material as seat)
Actuator Body/End Covers	Hard anodized aluminum/Polyester coated aluminum
Valve Position Indicator	Glass filled Polyamide
Fasteners	Stainless Steel
Actuator Seals	NBR



Description

Air actuated direct mount butterfly valves with epoxy-coated ductile iron lug body are designed for commercial and industrial applications. Valve mounts between two standard ANSI/ASME Class 125/ 150 flanges. Integral seat to flange seal, eliminates the need for flange gaskets. Disc is precision machined 316SS. Two piece stem and disc design enhances the flow capacity and reduces turbulence.

Approvals– Actuators

- CE conformity–MC 2006/42/CE
- EN ISO 12100:2010
- EN ISO 4414:2010
- ISO5211/ DIN3337 valve mounting
- Namur VDI/VDE 3845 accessory mounting
- SIL3– EN 17955:2024 & IEC 61508-1/-2:2010

Standards– Valves

- Design complies with API-609, MSS SP-67
- Tests per API-598, AWWA C502-87
- CE according to PED 2014/68/UE

Construction Features

Heavy duty rugged scotch yoke design

Anodized aluminum alloy covers with 40 micron polyester powder coating

Spring return models use multiple pre-compressed spring cartridges with polyester coating

Stainless steel fasteners

Unique wave line seat reduces torque and extends seal life

316SS disc with 2-piece stem design enhances flow capacity, reduces pressure drop

Visual valve position indicator

Standard Namur top mounting for optional switches

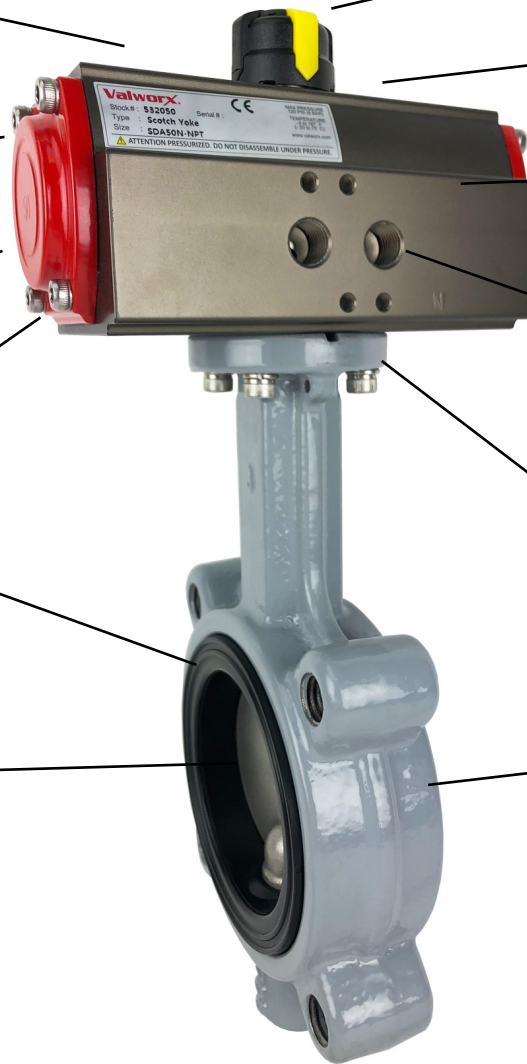
Extruded aluminum body with 35 micron hard anodizing

NPT pilot air ports and additional Namur VDI/VDE-3845 solenoid mounting pad

Direct mount wafer butterfly valve with standard ISO5211 mount, no brackets required

Ductile iron body with epoxy coating

International standard ISO5211 valve mounting pad



Pressure Rating

Pressure Rating: 230 PSI (16 Bar), Vacuum 29in Hg

Temperature Rating

Actuator Temperature Rating: -4 to 167° F (-20 to 75° C)

Valve Temperature Rating: EPDM seals 0 to 266° F (-18 to 130°C)

NBR seals 5 to 185° F (-15 to 85°C)

FPM seals 5 to 338° F (-15 to 170°C)

Optional Accessories

- DMS: Direct Mount Solenoid
- pilot to electrically operate the ball valve
- VPS: Valve Position Switches
- limit switches to confirm valve position
- Actuator Mounting Kits
- DSP: Digital Smart Positioner
- simplify throttling applications

Specifications - (English units)

Stock Number	Pipe Size (inch)	Orifice Diam. (inch)	Cv Flow Factor	Pressure Max.(PSI)	Fluid Media*	Cycle Time/90° (seconds)	Recommended Air Pilot Pressure
Lug Body EPDM Seals: SPRING RETURN							
564302	2	1.9	124	230	Water	0.3 - 0.5	58-87
564303	2-1/2	2.6	247	230	Water	0.4 - 0.6	58-87
564304	3	3.2	470	230	Water	0.4 - 0.6	58-87
564305	4	3.9	929	230	Water	0.4 - 0.6	58-87
564307	6	5.9	2243	230	Water	0.7 - 1.2	58-87
Lug Body NBR (BUNA-N) Seals: SPRING RETURN							
564321	2	1.9	124	230	Air, Oil, Vacuum	0.3 - 0.5	58-87
564322	2-1/2	2.6	247	230	Air, Oil, Vacuum	0.4 - 0.6	58-87
564323	3	3.2	470	230	Air, Oil, Vacuum	0.4 - 0.6	58-87
564324	4	3.9	929	230	Air, Oil, Vacuum	0.4 - 0.6	58-87
564326	6	5.9	2243	230	Air, Oil, Vacuum	0.7 - 1.2	58-87
Lug Body FPM (VITON) Seals: SPRING RETURN							
564342	2	1.9	124	230	Hydrocarbon, Oil	0.3 - 0.5	58-87
564343	2-1/2	2.6	247	230	Hydrocarbon, Oil	0.4 - 0.6	58-87
564344	3	3.2	470	230	Hydrocarbon, Oil	0.4 - 0.6	58-87
564345	4	3.9	929	230	Hydrocarbon, Oil	0.4 - 0.6	58-87
564347	6	5.9	2243	230	Hydrocarbon, Oil	0.7 - 1.2	58-87

Cv is the GPM of water at 60° F that will pass through the valve with 1 PSI pressure drop

* Consult compatibility chart for other fluid media. Suitable for vacuum up to 29 inHg

Specifications - (English units)

Stock Number	Pipe Size (inch)	Orifice Diam. (inch)	Cv Flow Factor	Pressure Max.(PSI)	Fluid Media*	Cycle Time/90° (seconds)	Recommended Air Pilot Pressure
Lug Body EPDM Seals: DOUBLE ACTING							
564312	2	1.9	124	120	Water	0.3	58-87
564313	2-1/2	2.6	247	120	Water	0.3	58-87
564314	3	3.2	470	120	Water	0.3	58-87
564315	4	3.9	929	120	Water	0.4	58-87
564317	6	5.9	2243	120	Water	0.6	58-87
Lug Body NBR (BUNA-N) Seals: DOUBLE ACTING							
564331	2	1.9	124	120	Air, Oil, Vacuum	0.3	58-87
564332	2-1/2	2.6	247	120	Air, Oil, Vacuum	0.3	58-87
564333	3	3.2	470	120	Air, Oil, Vacuum	0.3	58-87
564334	4	3.9	929	120	Air, Oil, Vacuum	0.4	58-87
564336	6	5.9	2243	120	Air, Oil, Vacuum	0.6	58-87
Lug Body FPM (VITON) Seals: DOUBLE ACTING							
564352	2	1.9	124	120	Hydrocarbon, Oil	0.3	58-87
564353	2-1/2	2.6	247	120	Hydrocarbon, Oil	0.3	58-87
564354	3	3.2	470	120	Hydrocarbon, Oil	0.3	58-87
564355	4	3.9	929	120	Hydrocarbon, Oil	0.4	58-87
564357	6	5.9	2243	120	Hydrocarbon, Oil	0.6	58-87

Cv is the GPM of water at 60° F that will pass through the valve with 1 PSI pressure drop

* Consult compatibility chart for other fluid media. Suitable for vacuum up to 29 inHg

Specifications - (Metric units)

Stock Number	Pipe Size (DN)	Orifice Diam. (mm)	Kv Flow Factor	Pressure Max.(Bar)	Fluid Media*	Cycle Time/90° (seconds)	Recommended Air Pilot Pressure (Bar)
Lug Body EPDM Seals: SPRING RETURN							
564302	50	50	107	8	Water	0.3 - 0.5	4-6
564303	65	65	212	8	Water	0.4 - 0.6	4-6
564304	80	80	404	8	Water	0.4 - 0.6	4-6
564305	100	100	799	8	Water	0.4 - 0.6	4-6
564307	150	150	1929	8	Water	0.7 - 1.2	4-6
Lug Body NBR (BUNA-N) Seals: SPRING RETURN							
564321	50	50	107	8	Air, Oil, Vacuum	0.3 - 0.5	4-6
564322	65	65	212	8	Air, Oil, Vacuum	0.4 - 0.6	4-6
564323	80	80	404	8	Air, Oil, Vacuum	0.4 - 0.6	4-6
564324	100	100	799	8	Air, Oil, Vacuum	0.4 - 0.6	4-6
564326	150	150	1929	8	Air, Oil, Vacuum	0.7 - 1.2	4-6
Lug Body FPM (VITON) Seals: SPRING RETURN							
564342	50	50	107	8	Hydrocarbon, Oil	0.3 - 0.5	4-6
564343	65	65	212	8	Hydrocarbon, Oil	0.4 - 0.6	4-6
564344	80	80	404	8	Hydrocarbon, Oil	0.4 - 0.6	4-6
564345	100	100	799	8	Hydrocarbon, Oil	0.4 - 0.6	4-6
564347	150	150	1929	8	Hydrocarbon, Oil	0.7 - 1.2	4-6

Kv = The number of m³ per hour of 20° C water at 1 bar pressure drop

* Consult compatibility chart for other fluid media. Suitable for vacuum up to 29 inHg

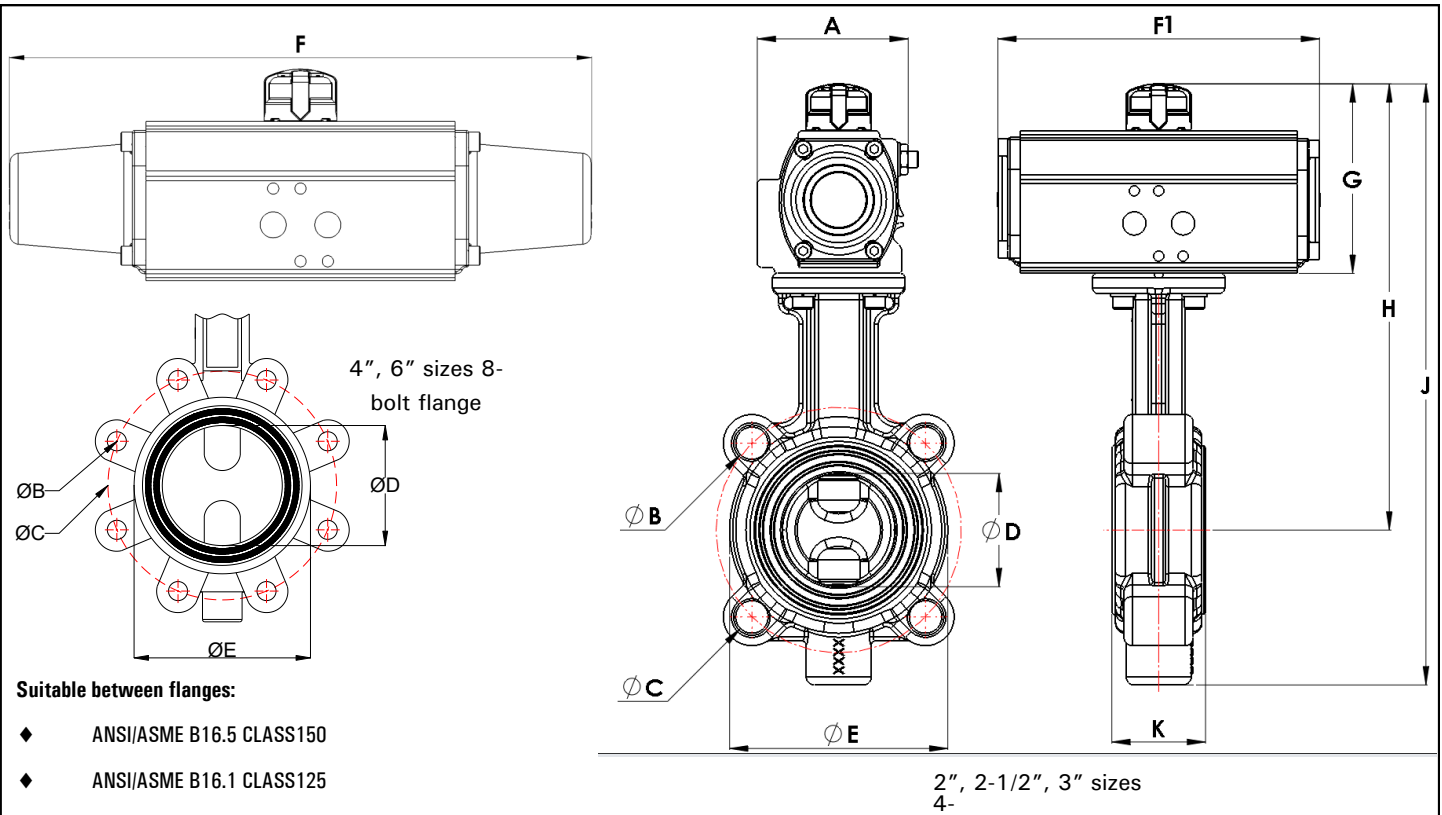
Specifications - (Metric units)

Stock Number	Pipe Size (DN)	Orifice Diam. (mm)	Kv Flow Factor	Pressure Max.(Bar)	Fluid Media*	Cycle Time/90° (seconds)	Recommended Air Pilot Pressure
Lug Body EPDM Seals: DOUBLE ACTING							
564312	50	50	107	8	Water	0.3	4-6
564313	65	65	212	8	Water	0.3	4-6
564314	80	80	404	8	Water	0.3	4-6
564315	100	100	799	8	Water	0.4	4-6
564317	150	150	1929	8	Water	0.6	4-6
Lug Body NBR (Buna-N) Seals: DOUBLE ACTING							
564331	50	50	107	8	Air, Oil, Vacuum	0.3	4-6
564332	65	65	212	8	Air, Oil, Vacuum	0.3	4-6
564333	80	80	404	8	Air, Oil, Vacuum	0.3	4-6
564334	100	100	799	8	Air, Oil, Vacuum	0.4	4-6
564336	150	150	1929	8	Air, Oil, Vacuum	0.6	4-6
Lug Body FPM (VITON) Seals: DOUBLE ACTING							
564352	50	50	107	8	Hydrocarbon, Oil	0.3	4-6
564353	65	65	212	8	Hydrocarbon, Oil	0.3	4-6
564354	80	80	404	8	Hydrocarbon, Oil	0.3	4-6
564355	100	100	799	8	Hydrocarbon, Oil	0.4	4-6
564357	150	150	1929	8	Hydrocarbon, Oil	0.6	4-6

Kv= The number of m³ per hour of 20° C water at 1 bar pressure drop

* Consult compatibility chart for other fluid media. Suitable for vacuum up to 29 inHg

Dimensions 2" to 6" Sizes



Spring Return Dimensions: inches (mm)

Pipe Size (inch)	A	B	C	D	E	F-SR	G	H	J	K	Weight lb (kg)
2	2.9 (75)	5/8-11	4.75 (120.5)	1.97 (50)	3.74 (95)	10.1 (257)	3.7 (93)	8.6 (219)	11.6 (295)	1.81 (46)	10.1 (4.6)
2-1/2	3.5 (89)	5/8-11	5.50 (139.7)	2.56 (65)	4.13 (105)	12.4 (314)	4.3 (110)	9.6 (244)	12.8 (326)	1.93 (49)	15 (6.8)
3	3.5 (89)	5/8-11	6.00 (152.4)	3.15 (80)	4.72 (120)	12.4 (314)	4.3 (110)	10.5 (267)	14.3 (362)	1.93 (49)	17.8 (8.1)
4	3.5 (89)	5/8-11	7.50 (190.5)	3.94 (100)	5.79 (147)	12.4 (314)	4.3 (110)	10.9 (277)	15.4 (390)	2.19 (56)	22.5 (10.2)
6	5.1 (164)	3/4-10	9.50 (241.3)	5.91 (150)	8.07 (205)	19.7 (500)	5.9 (151)	13.9 (353)	19.5 (496)	2.31 (59)	41.5 (18.8)

Double Acting Dimensions: inches (mm)

Pipe Size (inch)	A	B	C	D	E	F1-DA	G	H	J	K	Weight lb (kg)
2	2.9 (75)	5/8-11	4.75 (120.5)	1.97 (50)	3.74 (95)	4.25 (162)	3.7 (93)	8.6 (219)	11.6 (295)	1.81 (46)	9.7 (4.4)
2-1/2	2.9 (75)	5/8-11	5.50 (139.7)	2.56 (65)	4.13 (105)	4.25 (162)	3.7 (93)	8.9 (227)	12.2 (309)	1.93 (49)	11.5 (5.2)
3	2.9 (75)	5/8-11	6.00 (152.4)	3.15 (80)	4.72 (120)	4.25 (162)	3.7 (93)	9.6 (245)	13.6 (345)	1.93 (49)	14.3 (6.5)
4	3.5 (89)	5/8-11	7.50 (190.5)	3.94 (100)	5.79 (147)	4.92 (125)	4.3 (110)	10.9 (277)	15.4 (390)	2.19 (56)	21 (9.5)
6	3.9 (101)	3/4-10	9.50 (241.3)	5.91 (150)	8.07 (205)	5.31 (135)	5.1 (129)	13 (331)	18.7 (474)	2.31 (59)	38.4 (17.4)

Notes: Sizes 2, 2-1/2, 3 inch valves have 4-bolt flange mounting. Sizes 4 and 6 inch have 8-bolt mounting.