

## Features

- Functions as a diverter or selector valve
- Environmentally friendly lead free brass body
- Industrial grade and designed for low operating torque
- Energized PTFE ball seats for lower torque and longer life
- Leak free Triple PTFE/FKM stem seal packing
- Certified per NSF372 and NSF61 for potable/drinking water
- Spring Return or Double Acting Actuators
- Type IP66 & IP68 weatherproof actuator
- Rugged scotch yoke construction tested for 1 million+ cycles
- Anodized aluminum body with epoxy-polyester end covers
- Namur and ISO mounting standards
- Highly visible valve position indicator
- Actuator factory lubricated for normal lifetime

## Applications

On-off control of water, air, oil, vacuum and other media compatible with the materials of construction. These valves are ideal where lead free and NSF approved construction are required for potable drinking water. Cycle times 0.3 to 1.2 seconds per 90° rotation. Suitable for vacuum service to 29"Hg.

## Operation

Double acting scotch yoke actuators use air pressure to open and air pressure to close the ball valve (4-way pilot). Spring return scotch yoke actuators use air pressure to open and springs to close the ball valve (3-way pilot). Actuator will work with filtered dry or lubricated compressed air. Recommended air supply pilot pressure should be between 58 and 87 PSI. Easy to read visual valve position indicator located on top of actuator.

## Construction

|                                  |   |
|----------------------------------|---|
| <b>Valve Body</b>                | Lead free brass C69300                              |
| <b>Ball/Stem</b>                 | 316 stainless steel, full port                      |
| <b>Ball Seats</b>                | (4) PTFE (Teflon) energized with FKM (Viton)        |
| <b>Stem Seals</b>                | (1) PTFE/ Viton                                     |
| <b>Anti-Static Device</b>        | PTFE (Teflon) with dual FKM (Viton) seals           |
| <b>Actuator Seals</b>            | NBR   |
| <b>Actuator Body/ End Covers</b> | Hard anodized aluminium/ Polyester coated aluminium |
| <b>Position Indicator</b>        | Glass filled Polyamide                              |
| <b>Fasteners</b>                 | ASTM 304 Stainless Steel                            |



## Description

Heavy duty quarter turn scotch yoke actuators designed for long life and tested for a minimum 1 million+ operations. Three port valve has a L-Port flow path for diverter or selector applications. Full port for unrestricted flow. High quality 316 stainless steel ball and stem (vs plated brass.) Ball seats are energized PTFE for low torque and extended life. Unique leak free triple stem seal design with PTFE and dual Viton seals stem seal design. Standard Namur mounting pads for optional accessory confirmation switches and pilot valves.

## Approvals– Actuators

- CE Declaration of conformity– MD 2006/42/CE
- EN ISO 12100:2010
- EN ISO 4414:2010
- ISO5211/ DIN3337 valve mounting
- Namur VDI/VDE 3845 accessory mounting
- SIL3– EN 17955:2024 & IEC 61508-1/-2:2010

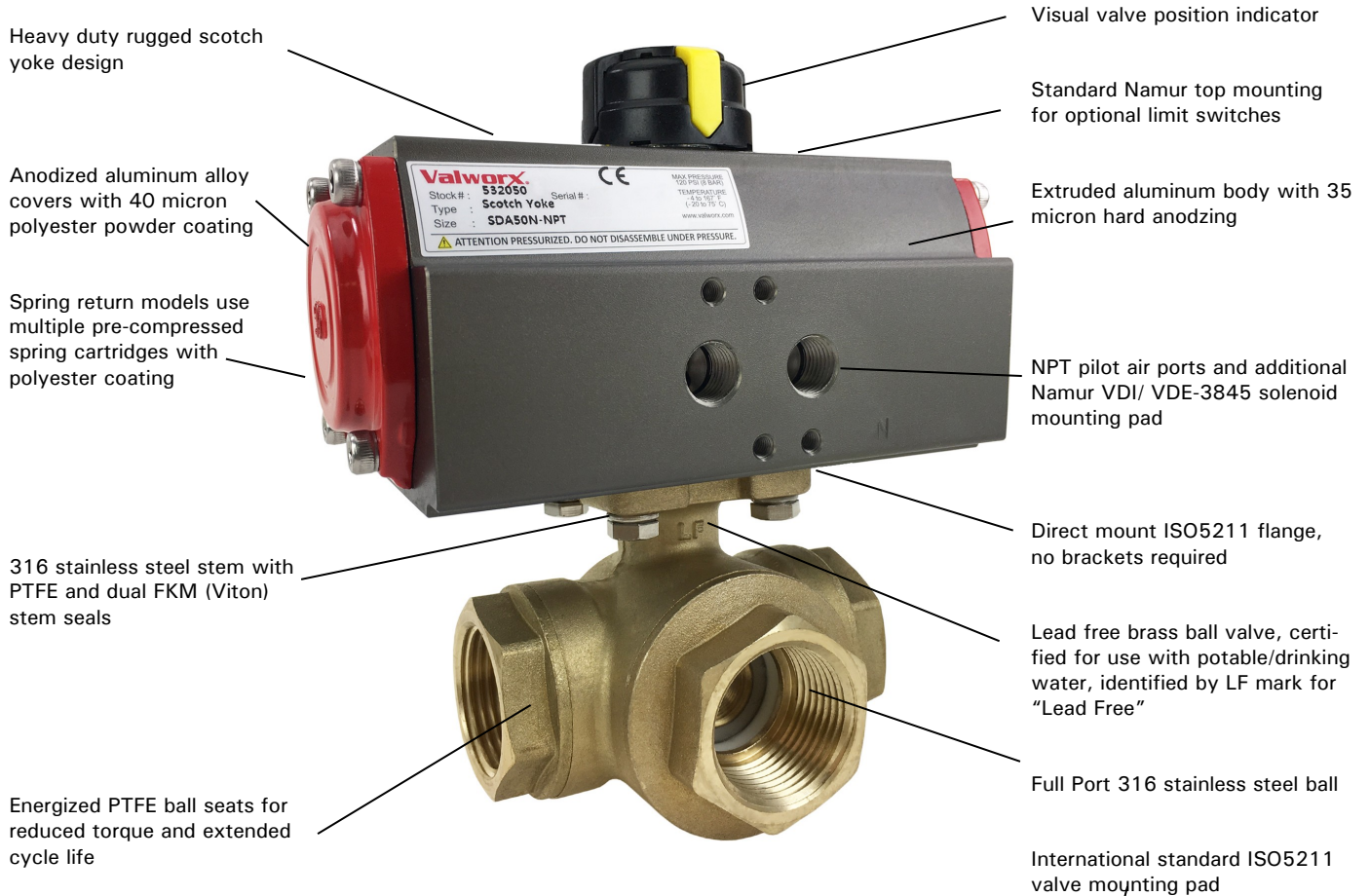


## Standards– Valves

- IAPMO RT certified to:
  - NSF/ANSI 61 - 2015
  - NSF/ANSI 372 - 2011 Drinking Water
  - California Health & Safety 116875
  - Section 1417 of Safe Drinking Water Act
  - Weighted average lead content < = 0.25%
- Meets design MSS-SP-110



## Features



**Pressure Rating\*:** 400 PSI CWP (27 Bar) non-shock  
Vacuum service to 29"Hg

**Recommended Air Pilot Pressure:** 58-87 PSI (4-6 Bar)

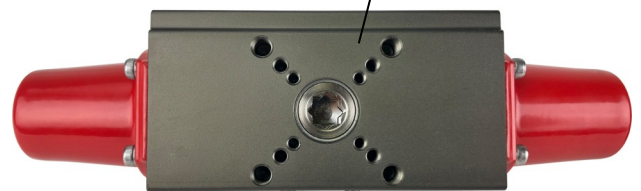
**Max Air Pilot Pressure:** 120 PSI

**Valve Temperature Rating:** -4° to 344° F (-20 to 173°C)

\*See P/T Chart

**Actuator Temperature Rating:** -4 to 167° F (-20 to 75° C)

\*See P/T chart



## Optional Accessories

- DMS: Direct Mount Solenoid
- pilot to electrically operate the ball valve
- VPS: Valve Position Switches
- limit switches to confirm valve position
- HTB: High Temperature Bracket
- increases media working temperature
- DSP: Digital Smart Positioner
- simplify throttling applications

## Specifications (English units)

| Stock Number                             | Pipe Size (NPT) | Orifice Size (inch) | Cv Flow Factor | Pressure Max.(PSI)* | Cycle Time /90° (seconds) | Pilot Air Port (NPT) |
|--|-----------------|---------------------|----------------|---------------------|---------------------------|----------------------|
| <b>VALVE WITH SPRING RETURN ACTUATOR</b> |                 |                     |                |                     |                           |                      |
| 541902                                   | 1/4             | 0.4                 | 3.2            | 400                 | 0.3-0.5                   | 1/4                  |
| 541903                                   | 3/8             | 0.4                 | 3.5            | 400                 | 0.3-0.5                   | 1/4                  |
| 541904                                   | 1/2             | 0.6                 | 4.5            | 400                 | 0.3-0.5                   | 1/4                  |
| 541906                                   | 3/4             | 0.8                 | 10.0           | 400                 | 0.3-0.5                   | 1/4                  |
| 541908                                   | 1               | 1.0                 | 16.0           | 400                 | 0.4-0.6                   | 1/4                  |
| 541910                                   | 1-1/4           | 1.2                 | 31.0           | 400                 | 0.4-0.6                   | 1/4                  |
| 541912                                   | 1-1/2           | 1.5                 | 49.0           | 400                 | 0.6-0.9                   | 1/4                  |
| 541916                                   | 2               | 2.0                 | 82.0           | 400                 | 0.7-1.2                   | 1/4                  |
| <b>VALVE WITH DOUBLE ACTING ACTUATOR</b> |                 |                     |                |                     |                           |                      |
| 541802                                   | 1/4             | 0.4                 | 3.2            | 400                 | 0.3                       | 1/4                  |
| 541803                                   | 3/8             | 0.4                 | 3.5            | 400                 | 0.3                       | 1/4                  |
| 541804                                   | 1/2             | 0.6                 | 4.5            | 400                 | 0.3                       | 1/4                  |
| 541806                                   | 3/4             | 0.8                 | 10.0           | 400                 | 0.3                       | 1/4                  |
| 541808                                   | 1               | 1.0                 | 16.0           | 400                 | 0.3                       | 1/4                  |
| 541810                                   | 1-1/4           | 1.2                 | 31.0           | 400                 | 0.3                       | 1/4                  |
| 541812                                   | 1-1/2           | 1.5                 | 49.0           | 400                 | 0.4                       | 1/4                  |
| 541816                                   | 2               | 2.0                 | 82.0           | 400                 | 0.6                       | 1/4                  |

Cv = The GPM of water at 60° F that will pass through the valve with 1 PSI pressure drop

\* Pressure @ 0 to 176° F (reduced pressure at higher temperatures—see P/T chart)

## Pressure/Temperature Chart (PSI/°F)

| P/T Chart |     |     |     |     |     |     |
|-----------|-----|-----|-----|-----|-----|-----|
| PSI       | 400 | 400 | 400 | 400 | 375 | 300 |
| °F        | 0   | 50  | 100 | 176 | 200 | 250 |

## Specifications (Metric units)

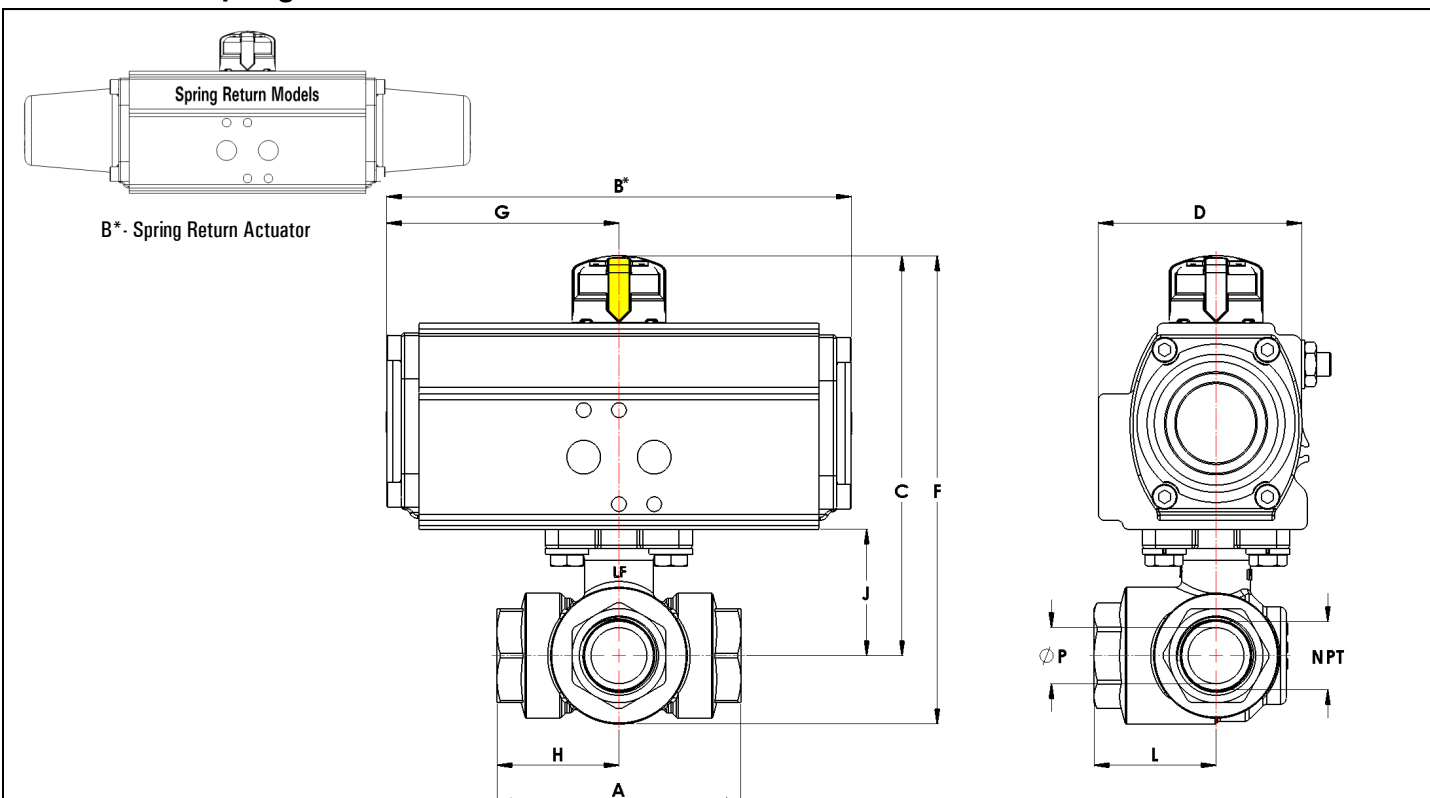
| Stock Number                             | Pipe Size (NPT) | Orifice Size (mm) | Kv Flow Factor | Pressure Max.(Bar)* | Cycle Time/90° (seconds) | Pilot Air Port (NPT) |
|--|-----------------|-------------------|----------------|---------------------|--------------------------|----------------------|
| <b>VALVE WITH SPRING RETURN ACTUATOR</b> |                 |                   |                |                     |                          |                      |
| 541902                                   | 1/4             | 10.0              | 2.8            | 27.0                | 0.3-0.5                  | 1/4                  |
| 541903                                   | 3/8             | 10.0              | 3.0            | 27.0                | 0.3-0.5                  | 1/4                  |
| 541904                                   | 1/2             | 15.0              | 3.9            | 27.0                | 0.3-0.5                  | 1/4                  |
| 541906                                   | 3/4             | 20.0              | 8.6            | 27.0                | 0.3-0.5                  | 1/4                  |
| 541908                                   | 1               | 25.0              | 14.0           | 27.0                | 0.4-0.6                  | 1/4                  |
| 541910                                   | 1-1/4           | 31.0              | 27.0           | 27.0                | 0.4-0.6                  | 1/4                  |
| 541912                                   | 1-1/2           | 38.0              | 42.0           | 27.0                | 0.6-0.9                  | 1/4                  |
| 541916                                   | 2               | 50.0              | 70.0           | 27.0                | 0.7-1.2                  | 1/4                  |
| <b>VALVE WITH DOUBLE ACTING ACTUATOR</b> |                 |                   |                |                     |                          |                      |
| 541802                                   | 1/4             | 10.0              | 2.8            | 27.0                | 0.3                      | 1/4                  |
| 541803                                   | 3/8             | 10.0              | 3.0            | 27.0                | 0.3                      | 1/4                  |
| 541804                                   | 1/2             | 15.0              | 3.9            | 27.0                | 0.3                      | 1/4                  |
| 541806                                   | 3/4             | 20.0              | 8.6            | 27.0                | 0.3                      | 1/4                  |
| 541808                                   | 1               | 25.0              | 14.0           | 27.0                | 0.3                      | 1/4                  |
| 541810                                   | 1-1/4           | 31.0              | 27.0           | 27.0                | 0.3                      | 1/4                  |
| 541812                                   | 1-1/2           | 38.0              | 42.0           | 27.0                | 0.4                      | 1/4                  |
| 541816                                   | 2               | 50.0              | 70.0           | 27.0                | 0.6                      | 1/4                  |

\* Pressure range @ -18 to 80°C (reduced pressure for higher temperatures—see P/T chart)

## Pressure/Temperature Chart (Bar/°C)

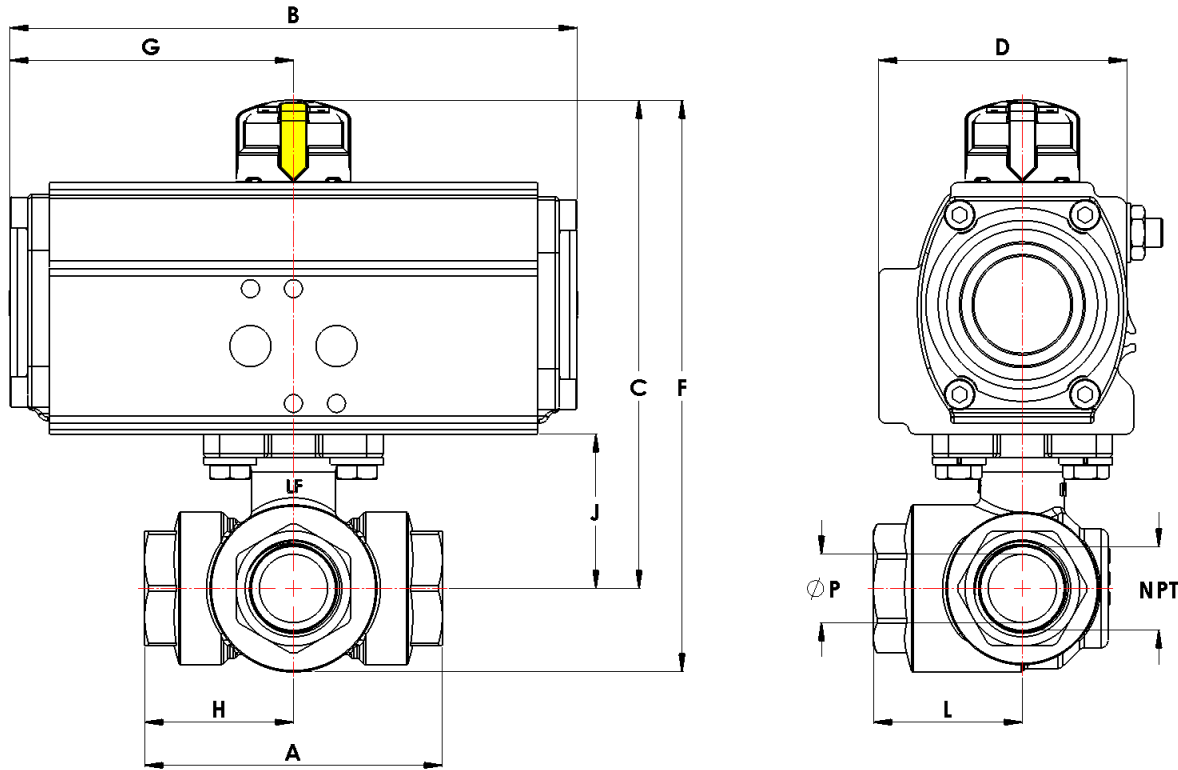
| P/T Chart |     |    |    |    |    |     |
|-----------|-----|----|----|----|----|-----|
| Bar       | 27  | 27 | 27 | 27 | 25 | 20  |
| °C        | -18 | 10 | 38 | 80 | 93 | 121 |

## Dimensions: Spring Return



| Pipe Size |      | A     | B* (SR) | C   | D     | F    | G     | H    | J    | L    | P    | A & B Ports (NPT) | Weight  |
|-----------|------|-------|---------|-----|-------|------|-------|------|------|------|------|-------------------|---------|
| 1/4       | inch | 2.2   | 10.1    | 4.6 | 2.9   | 5.2  | 5.1   | 1.1  | 1.0  | 1.1  | 0.4  | 1/4               | 4.4 lb  |
|           | mm   | 55.9  | 256.5   | 2.1 | 73.7  | 2.4  | 129.5 | 27.9 | 25.4 | 27.9 | 10.0 | -                 | 2.0 kg  |
| 3/8       | inch | 2.2   | 10.1    | 4.6 | 2.9   | 5.2  | 5.1   | 1.1  | 1.0  | 1.1  | 0.4  | 1/4               | 4.3 lb  |
|           | mm   | 55.9  | 256.5   | 2.1 | 73.7  | 2.4  | 129.5 | 27.9 | 25.4 | 27.9 | 10.0 | -                 | 2.0 kg  |
| 1/2       | inch | 2.9   | 10.1    | 4.9 | 2.9   | 5.7  | 5.1   | 1.4  | 1.3  | 1.4  | 0.6  | 1/4               | 4.9 lb  |
|           | mm   | 73.7  | 256.5   | 2.2 | 73.7  | 2.6  | 129.5 | 35.6 | 33.0 | 35.6 | 15.0 | -                 | 2.2 kg  |
| 3/4       | inch | 3.3   | 10.1    | 5.3 | 2.9   | 6.2  | 5.1   | 1.6  | 1.7  | 1.6  | 0.8  | 1/4               | 5.9 lb  |
|           | mm   | 83.8  | 256.5   | 2.4 | 73.7  | 2.8  | 129.5 | 40.6 | 43.2 | 40.6 | 20.0 | -                 | 2.7 kg  |
| 1         | inch | 3.8   | 12.3    | 6.0 | 3.5   | 7.1  | 6.2   | 1.9  | 1.9  | 1.8  | 1.0  | 1/4               | 9.7 lb  |
|           | mm   | 96.5  | 314.0   | 2.4 | 88.9  | 3.2  | 157.5 | 48.3 | 48.3 | 45.7 | 25.0 | -                 | 4.4 kg  |
| 1-1/4     | inch | 4.2   | 12.3    | 6.3 | 3.5   | 7.6  | 6.2   | 2.1  | 2.2  | 2.0  | 1.3  | 1/4               | 10.6 lb |
|           | mm   | 106.7 | 314.0   | 2.9 | 88.9  | 3.4  | 157.5 | 53.3 | 55.9 | 50.8 | 32.0 | -                 | 4.8 kg  |
| 1-1/2     | inch | 5.0   | 16.5    | 7.4 | 3.9   | 9.0  | 8.3   | 2.5  | 2.6  | 2.3  | 1.5  | 1/4               | 18.6 lb |
|           | mm   | 127.0 | 419.1   | 3.4 | 99.1  | 4.1  | 210.8 | 63.5 | 66.0 | 58.4 | 38.0 | -                 | 8.4 kg  |
| 2         | inch | 5.9   | 19.6    | 8.7 | 5.0   | 10.7 | 9.8   | 2.9  | 3.0  | 2.7  | 2.0  | 1/4               | 31.2 lb |
|           | mm   | 149.9 | 497.8   | 3.9 | 127.0 | 4.9  | 248.9 | 73.7 | 76.2 | 68.6 | 50.0 | -                 | 14.2 kg |

## Dimensions: Double Acting



| Pipe Size |      | A     | B     | C   | D    | F   | G     | H    | J    | L    | P    | A & B Ports (NPT) | Weight  |
|-----------|------|-------|-------|-----|------|-----|-------|------|------|------|------|-------------------|---------|
| 1/4       | inch | 2.2   | 6.3   | 4.4 | 2.9  | 5.2 | 3.2   | 1.1  | 1.0  | 1.1  | 0.4  | 1/4               | 4.0 lb  |
|           | mm   | 55.9  | 160.0 | 2.0 | 73.7 | 2.4 | 81.3  | 27.9 | 25.4 | 27.9 | 10.0 | -                 | 1.8 kg  |
| 3/8       | inch | 2.2   | 6.3   | 4.4 | 2.9  | 5.2 | 3.2   | 1.1  | 1.0  | 1.1  | 0.4  | 1/4               | 3.9 lb  |
|           | mm   | 55.9  | 160.0 | 2.0 | 73.7 | 2.4 | 81.3  | 27.9 | 25.4 | 27.9 | 10.0 | -                 | 1.8 kg  |
| 1/2       | inch | 2.9   | 6.3   | 4.7 | 2.9  | 5.5 | 3.2   | 1.4  | 1.3  | 1.4  | 0.6  | 1/4               | 4.5 lb  |
|           | mm   | 73.7  | 160.0 | 2.1 | 73.7 | 2.5 | 81.3  | 35.6 | 33.0 | 35.6 | 15.0 | -                 | 2.0 kg  |
| 3/4       | inch | 3.3   | 6.3   | 5.1 | 2.9  | 6.0 | 3.2   | 1.6  | 1.7  | 1.6  | 0.8  | 1/4               | 5.5 lb  |
|           | mm   | 83.8  | 160.0 | 2.3 | 73.7 | 2.7 | 81.3  | 40.6 | 43.2 | 40.6 | 20.0 | -                 | 2.5 kg  |
| 1         | inch | 3.8   | 6.3   | 5.3 | 2.9  | 6.4 | 3.2   | 1.9  | 1.9  | 1.8  | 1.0  | 1/4               | 6.2 lb  |
|           | mm   | 96.5  | 160.0 | 2.4 | 73.7 | 2.9 | 81.3  | 48.3 | 48.3 | 45.7 | 25.0 | -                 | 2.8 kg  |
| 1-1/4     | inch | 4.2   | 6.3   | 5.6 | 2.9  | 6.9 | 3.2   | 2.1  | 2.2  | 2.0  | 1.3  | 1/4               | 7.1 lb  |
|           | mm   | 106.7 | 160.0 | 2.5 | 73.7 | 3.1 | 81.3  | 53.3 | 55.9 | 50.8 | 32.0 | -                 | 3.2 kg  |
| 1-1/2     | inch | 5.0   | 7.9   | 6.7 | 3.5  | 8.3 | 4.0   | 2.5  | 2.6  | 2.3  | 1.5  | 1/4               | 12.0 lb |
|           | mm   | 127.0 | 200.7 | 3.0 | 88.9 | 3.8 | 101.6 | 63.5 | 66.0 | 58.4 | 38.0 | -                 | 5.4 kg  |
| 2         | inch | 5.9   | 9.9   | 7.8 | 3.9  | 9.8 | 5.0   | 2.9  | 3.0  | 2.7  | 2.0  | 1/4               | 18.9 lb |
|           | mm   | 149.9 | 251.5 | 3.5 | 99.1 | 4.4 | 127.0 | 73.7 | 76.2 | 68.6 | 50.0 | -                 | 8.6 kg  |