

Features– Valve

- Available in 30°, 60°, 90° V-port stainless steel ball
- Same pressure rating as our full port valves
- 316 stainless steel body, ball & stem
- Swing-out center section
- RTFE (reinforced Teflon) ball seats
- Triple PTFE/Viton live loaded stem seals, adjustable
- Valves tested accordance with API 598/ EN12266-1

Features– Actuator

- Actuators designed for minimum 1 million cycles
- Quarter turn rack and pinion design
- Actuator factory lubricated for normal lifetime

Features– Positioner

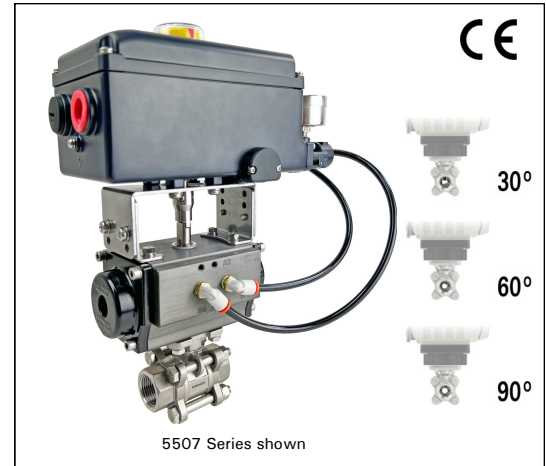
- Highly precise Linearity/ Hysteresis/Sensitivity +/- 0.5 % / +/-0.3% / +/-0.3% FS
- Multi-function LCD display including Target/input value, Limit Switch status, control status
- Auto-sensing rotation (clockwise or counter-clockwise)
- Direct drive output shaft—no linkages
- IP66 Weatherproof aluminum enclosure with anti-corrosion protection
- Universal Namur mounting bracket included
- Doubles as a limit switch with dome indicator and two limit switches to confirm valve position (529861 model)
- Installed, calibrated and tested

Applications

V-port ball valves are used in applications requiring finer flow control than standard ball valves. Modulating control (with an electro-pneumatic smart positioner) of water, air, oil and other media compatible with the materials of construction. Suitable for vacuum service up to 29inchHg.

Operation

The digital smart positioner converts a 4-20mA signal to a proportional pneumatic output. This output is fed to the double acting air actuator which in turn controls the valve position and flow. The positioner provides fast and accurate response times from input change to valve movement. The double acting air actuator requires supply air to open, close and throttle the valve. Valve stays in last position upon loss of signal or loss of supply air.



Description

Valworx series 5506/5507 air actuated V-port ball valves are composed of a 316 stainless steel V-port valve, a rack and pinion air actuator and a digital smart positioner. The 316 stainless V-ball is available in three vertex angles (30°, 60°, 90°). All Valworx V-port valves have the same pressure rating as our full port valves.

Adjustable live loaded stem seal packing helps compensate for wear, pressure or temperature fluctuations, extending the cycle life of the valve. Heavy duty quarter turn actuators are designed for long life and tested for a minimum 1 million operations.

Series 5506 is the base model positioner. Series 5507 includes a dome indicator and two SPDT limit switches.

Standards– Valves

- Design: API 608
- Testing: API 598
- Threaded Connection: ASME B1.20.1 (NPT)/ ISO 228-1/ BS21
- Pressure/Temperature Rating: ASME B16.34
- Marking: MSS SP-25
- CE– PED 2014/68/UE

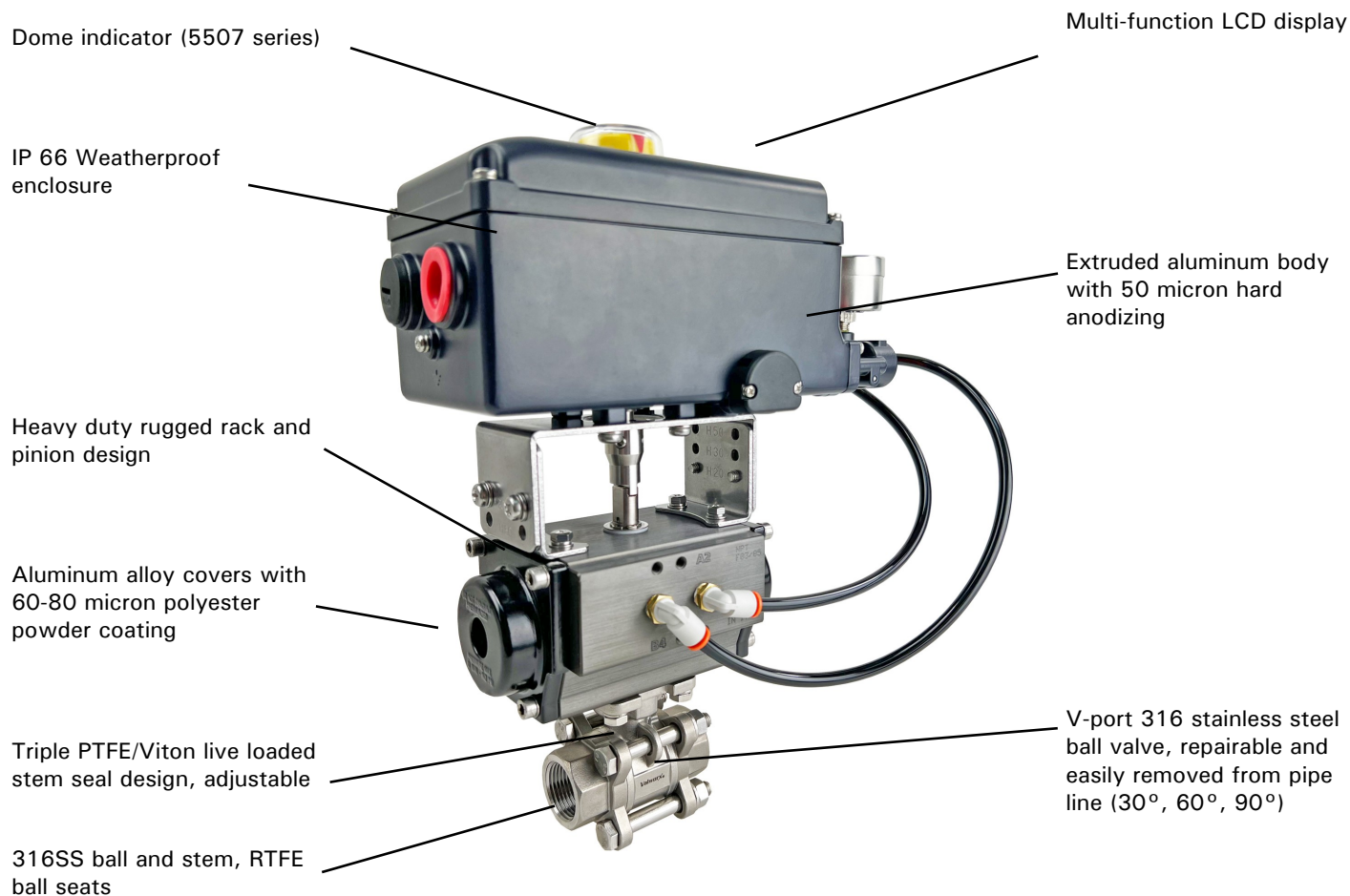
Approvals– Actuators

- CE– MD 2006-42/CE
- ISO5211/ DIN3337 valve mounting
- Namur VDI/VDE 3845 accessory

Approvals– Smart Positioner

- CE Conformance– EMC 2014/30/EU
- IEC 61508:2010 Parts 1 and 2
- Safety Integrity Level (SIL) 2 Capable with HFT = 0
- Safety Integrity Level (SIL) 3 Capable with HFT = 1

Construction Features



Pressure-Temperature

Pressure Rating: 1000 PSI* (69 Bar*) CWP non-shock 1/4" to 2" sizes
 800 PSI* (55 Bar*) CWP non shock 2-1/2" to 3" sizes
 Vacuum to 29inHg

Air Pilot Pressure Required: 80-120 PSI (5.5-8.3 Bar)

Positioner Pressure: Supply Pressure Rating: 20-100 PSI (1.4 to 7 bar)

Valve Temperature Rating: -4 to 392° F (-20 to 200° C)

*See P/T Chart

Actuator Temperature Rating: -4 to 176° F (-20 to 80° C)

Positioner Temperature Range: Ambient Temperature—
 22 to 176°F (-30 to 80°C)

Operating Temperature— -4 to 176°F (-20 to 80°C)

Humidity— the dew point should be at least 18°F or 10°C lower than the temperature of this device.

Optional Accessories

- DMS: Direct Mount Solenoid
 - pilot to electrically operate the ball valve
- HTB: High Temperature Bracket
 - increases media working temperature

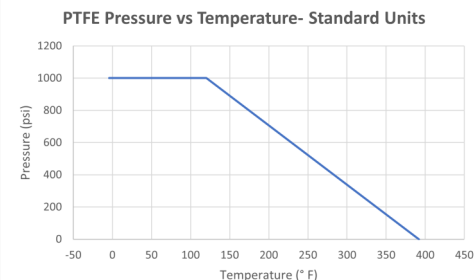
Specifications (English units)

Stock	Pipe Size	Orifice Size	Pressure	Air Volume/90°	Cycle Time /90°	Pilot Air Port
STAINLESS 3pc VALVE WITH DOUBLE ACTING ACTUATOR w/ DIGITAL SMART POSITIONER (529860 MODEL)						
550602	1/4	0.5	1000	97.6	1	1/8
550603	3/8	0.5	1000	97.6	1	1/8
550604	1/2	0.6	1000	97.6	1	1/8
550606	3/4	0.8	1000	97.6	1	1/8
550608	1	1.0	1000	195.3	1	1/4
550610	1-1/4	1.3	1000	195.3	1	1/4
550612	1-1/2	1.5	1000	262.4	1	1/4
550616	2	2.0	1000	262.4	1	1/4
550617	2-1/2	2.6	800	421.1	1.5	1/4
550618	3	3.2	800	768.9	1.5	1/4
STAINLESS 3pc VALVE WITH DOUBLE ACTING ACTUATOR w/ DIGITAL SMART POSITIONER + LIMIT SWITCH (529861 MODEL)						
550702	1/4	0.5	1000	97.6	1	1/8
550703	3/8	0.5	1000	97.6	1	1/8
550704	1/2	0.6	1000	97.6	1	1/8
550706	3/4	0.8	1000	97.6	1	1/8
550708	1	1.0	1000	195.3	1	1/4
550710	1-1/4	1.3	1000	195.3	1	1/4
550712	1-1/2	1.5	1000	262.4	1	1/4
550716	2	2.0	1000	262.4	1	1/4
550717	2-1/2	2.6	800	421.1	1.5	1/4
550718	3	3.2	800	768.9	1.5	1/4

* Pressure @ 0°F to 100° F (reduced pressure at higher temperatures—see P/T chart)

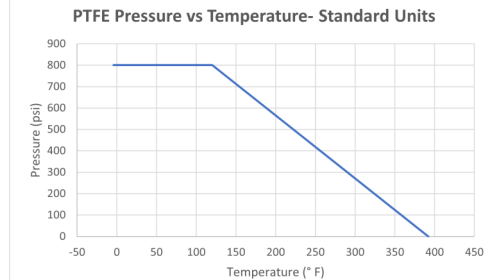
Pressure/Temp. Chart - 1000 PSI (69 Bar)

P/T Chart (PSI/°F)				
PSI	1000	1000	100	0
°F	-4	50	330	392



Pressure/Temp. Chart - 800 PSI (55 Bar)

P/T Chart (PSI/°F)				
PSI	800	800	100	0
°F	-4	50	330	392

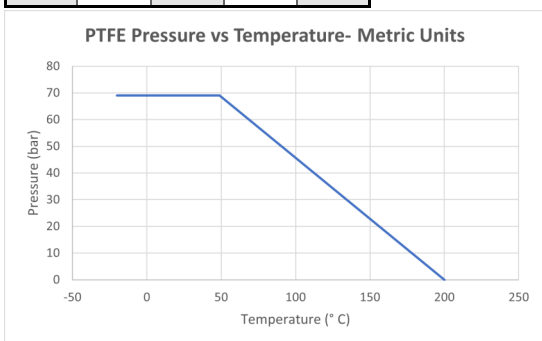


Specifications (Metric units)

Stock Number	Pipe Size (NPT)	Orifice Size (mm)	Pressure Max.(Bar)*	Air Volume/90° (cubic liters)	Cycle Time/90° (seconds)	Pilot Air Port (NPT)
STAINLESS 3pc VALVE WITH DOUBLE ACTING ACTUATOR w/ DIGITAL SMART POSITIONER (529860 MODEL)						
550602	1/4	11.5	69	1.6	1	1/8
550603	3/8	12.5	69	1.6	1	1/8
550604	1/2	15	69	1.6	1	1/8
550606	3/4	20	69	1.6	1	1/8
550608	1	25	69	3.2	1	1/4
550610	1-1/4	32	69	3.2	1	1/4
550612	1-1/2	38	69	4.3	1	1/4
550616	2	50	69	4.3	1	1/4
550617	2-1/2	65	55	6.9	1.5	1/4
550618	3	80	55	12.6	1.5	1/4
STAINLESS 3pc VALVE WITH DOUBLE ACTING ACTUATOR w/ DIGITAL SMART POSITIONER + LIMIT SWITCH (529861 MODEL)						
550702	1/4	11.5	69	1.6	1	1/8
550703	3/8	12.5	69	1.6	1	1/8
550704	1/2	15	69	1.6	1	1/8
550706	3/4	20	69	1.6	1	1/8
550708	1	25	69	3.2	1	1/4
550710	1-1/4	32	69	3.2	1	1/4
550712	1-1/2	38	69	4.3	1	1/4
550716	2	50	69	4.3	1	1/4
550717	2-1/2	65	55	6.9	1.5	1/4
550718	3	80	55	12.6	1.5	1/4

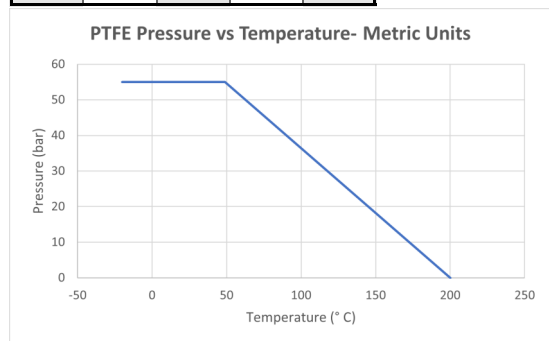
Pressure/Temp. Chart - 1000 PSI (69 Bar)

P/T Chart (BAR/°C)				
Bar	69	69	7	0
°C	-20	10	166	200



Pressure/Temp. Chart - 800 PSI (55 Bar)

P/T Chart (BAR/°C)				
Bar	55	55	7	0
°C	-20	10	166	200



Specifications & Construction Table

Valve and Actuator

Type	Air Actuated 3 Piece Stainless Ball Valves
Valve Body	316 stainless steel ASTM A351 CF8M
Ball/Stem	316 stainless steel
Ball Seats	RTFE (reinforced Teflon)
Stem Seals	PTFE, Viton
Anti-static Device	Ball to Stem (1/4" - 3") + Stem to Body (1-1/2" - 3")
Actuator Seals	NBR (Buna-N)
Actuator Body	Anodized aluminium, epoxy-polyester coated end covers
Position Indicator	Glass filled Polyamide
Fasteners	Stainless Steel

Positioner

Type	Positioner	Air Connections	1/4" NPT
Rotation	0-90°	Electrical Connection	1/2" NPT Conduit
Load Voltage	6.8 V	Linearity	+/- 0.5% F.S.
Input Signal	4-20mA DC (min. 3.6mA/ max. 50mA)	Hysteresis	+/- 0.3% F.S.
Output Signal	4-20mA @ 12-30VDC supply voltage	Sensitivity	+/- 0.3% F.S.
Impedance	340 +/-15 ohms	Repeatability	+/- 0.2% F.S
Flow Capacity	8.8 SCFM @ 20 PSI	Performance Characteristic	Linear, Shape (EQ%, Quick), User Set
Air Consumption	0.9 SCFM @ 20 PSI	Enclosure	Aluminum die-cast + Epoxy painted
Vibration	2G, 5 to 400 Hz	Enclosure Rating	IP66 weatherproof, General Purpose
Humidity	Dew point- 18°F or 10°C lower temperature of device	Limit Switch (*529861 Only)	2x SPDT max 5A @ 220 VAC
		Weight	5.5 lbs

Specifications– Positioner



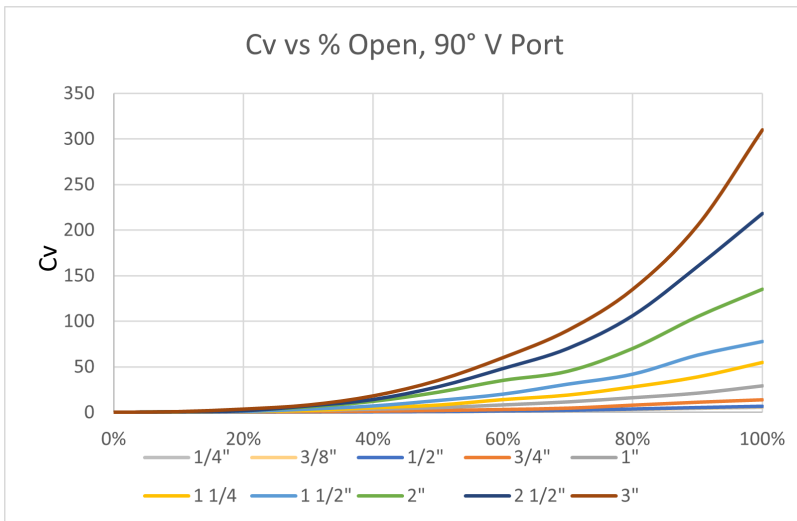
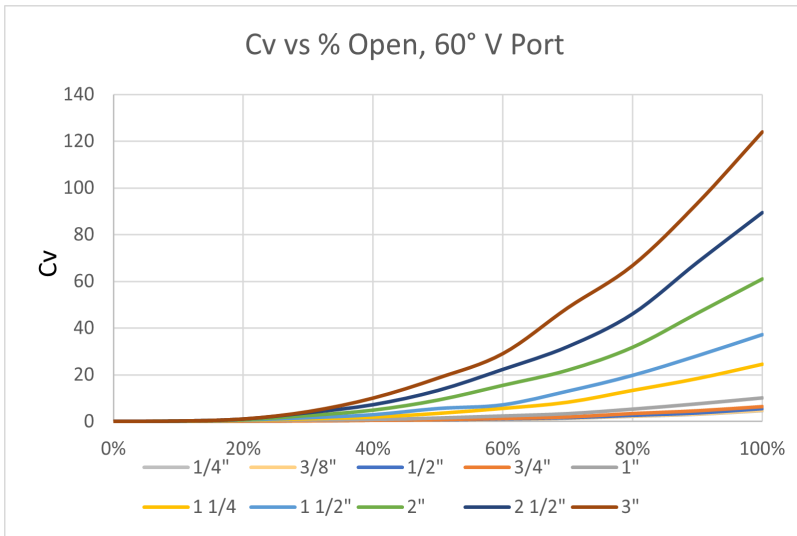
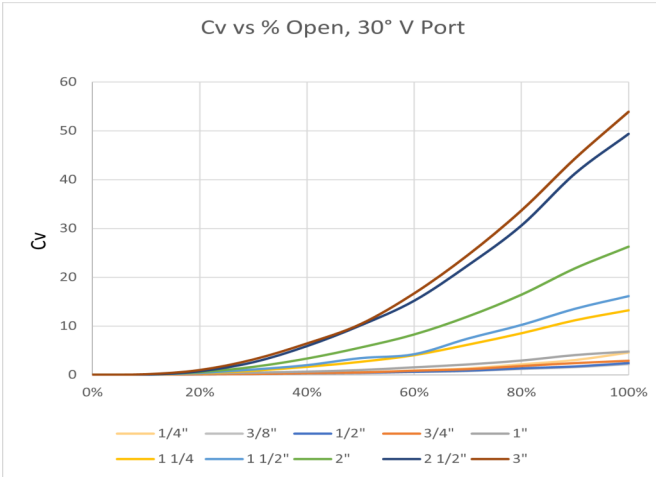
DISP	Set display parameters
MAN	Run in manual mode
MON	Check status, error codes, run time and other parameters
RUN	Run as normal operation
AUTO	Auto calibration and initialization
PARM	Check internal parameters
TEST	Check initial set up
LOCK	Lock/Unlock display

1	Display Status
2	Control Status
3	PV & Temperature Display
4	SV & Parameter Display

CV vs Valve Position

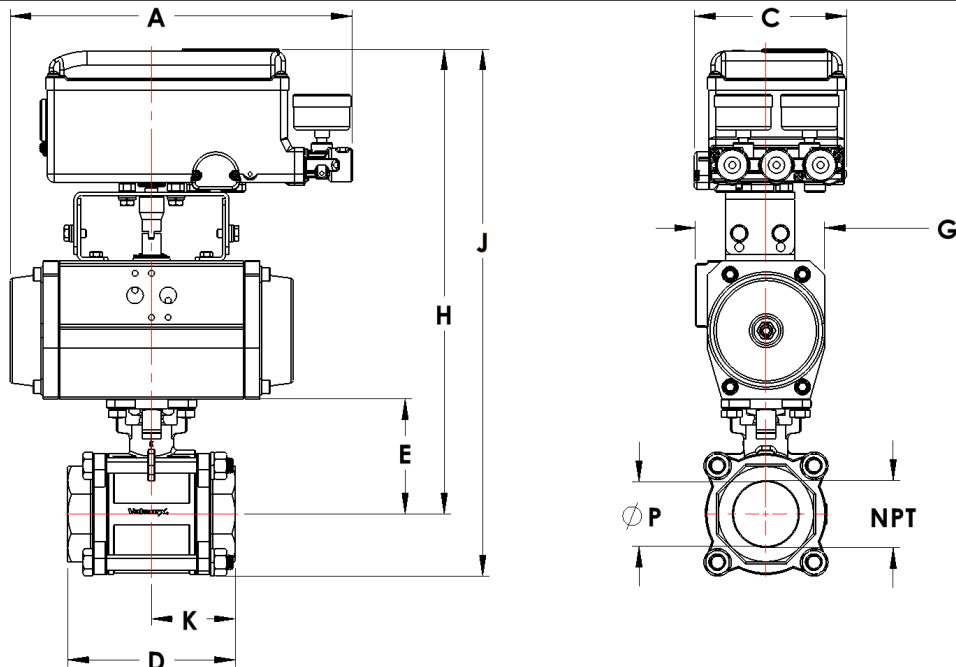
Size	V	0	10%	20%	30%	40%	50%	60%	70%	80%	90%	100%
1/4"	30°	0.000	0.000	0.082	0.141	0.266	0.352	0.533	0.717	1.109	1.437	2.000
	60°	0.000	0.000	0.099	0.194	0.443	0.528	0.888	1.304	2.148	3.010	4.538
	90°	0.000	0.082	0.164	0.329	0.493	0.657	1.232	1.807	3.121	4.436	5.668
3/8"	30°	0.000	0.000	0.089	0.154	0.289	0.383	0.579	0.779	1.205	1.562	2.174
	60°	0.000	0.000	0.107	0.211	0.481	0.574	0.965	1.417	2.335	3.271	4.933
	90°	0.000	0.089	0.179	0.357	0.536	0.714	1.339	1.964	3.393	4.821	6.161
1/2"	30°	0.000	0.000	0.100	0.172	0.324	0.429	0.649	0.873	1.350	1.749	2.435
	60°	0.000	0.000	0.120	0.236	0.539	0.643	1.081	1.587	2.615	3.664	5.525
	90°	0.000	0.100	0.200	0.400	0.600	0.800	1.500	2.200	3.800	5.400	6.900
3/4"	30°	0.000	0.000	0.128	0.159	0.338	0.489	0.850	1.166	1.805	2.408	2.884
	60°	0.000	0.000	0.151	0.238	0.453	0.729	1.275	1.915	3.419	4.630	6.440
	90°	0.000	0.200	0.400	0.800	1.200	2.000	3.100	4.600	8.000	11.300	14.000
1"	30°	0.000	0.030	0.312	0.436	0.659	0.986	1.539	2.129	2.921	4.045	4.761
	60°	0.000	0.030	0.445	0.607	0.790	1.417	2.308	3.318	5.270	7.568	10.108
	90°	0.000	0.200	0.600	1.800	3.400	5.100	8.100	11.400	16.000	21.000	29.000
1-1/4"	30°	0.000	0.050	0.359	0.857	1.661	2.686	4.044	6.186	8.530	11.193	13.230
	60°	0.000	0.060	0.441	1.114	1.845	3.426	5.575	8.215	13.290	18.360	24.499
	90°	0.000	0.300	0.800	2.000	5.000	8.000	14.000	19.000	28.000	39.000	55.000
1-1/2"	30°	0.000	0.050	0.410	1.099	1.995	3.430	4.230	7.432	10.230	13.540	16.126
	60°	0.000	0.060	0.570	1.556	2.849	5.488	7.077	12.908	19.665	28.068	37.099
	90°	0.000	0.400	0.900	3.500	7.000	13.000	20.000	31.000	42.000	63.000	78.000
2"	30°	0.000	0.050	0.549	1.620	3.320	5.574	8.252	11.931	16.397	21.797	26.234
	60°	0.000	0.060	0.698	2.477	4.784	9.094	15.410	21.889	31.707	46.343	60.981
	90°	0.000	0.500	2.000	6.000	12.000	22.000	35.000	45.000	70.000	105.000	135.000
2-1/2"	30°	0.000	0.060	0.750	2.610	5.907	10.153	15.210	22.440	30.620	41.270	49.400
	60°	0.000	0.090	0.955	3.699	7.100	13.199	22.222	31.972	46.028	68.120	89.400
	90°	0.000	0.500	1.700	7.000	14.000	28.000	48.000	70.000	106.000	160.000	218.000
3"	30°	0.000	0.100	0.955	3.115	6.400	10.364	16.661	24.500	33.650	44.300	53.880
	60°	0.000	0.120	1.000	4.156	9.943	18.514	28.984	48.566	66.704	93.350	123.860
	90°	0.000	0.700	3.500	8.000	18.000	35.000	60.000	90.000	135.000	205.000	310.000

Specifications (CV)



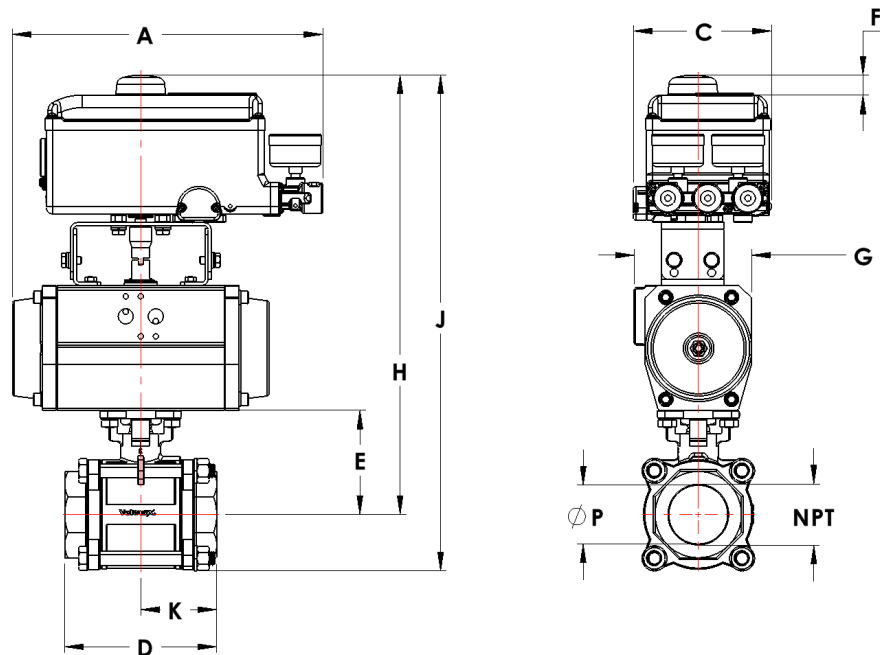
Polynomial Best Fit			
$Cv = Ax^2 + Bx + C$			
where x = % open			
30°	A	B	C
1/4	2.5142	-0.6735	0.0601
3/8	2.7329	-0.7323	0.0655
1/2	3.0597	-0.8189	0.0732
3/4	3.7579	-0.8844	0.0566
1	5.5478	-0.8243	0.0903
1 1/4	15.9160	-2.4360	0.0835
1 1/2	19.9630	-3.6943	0.1823
2	31.0550	-4.5772	0.1215
2 1/2	60.1080	-10.0700	0.2174
3	65.6310	-11.3300	0.3235
60°	A	B	C
1/4	6.7175	-2.7591	0.2241
3/8	7.3027	-3.0000	0.2435
1/2	8.1790	-3.3599	0.2728
3/4	9.9126	-4.0308	0.2960
1	14.6730	-5.3902	0.4561
1 1/4	35.8110	-12.8860	0.8933
1 1/2	55.2470	-20.5430	1.4205
2	86.4620	-28.9610	1.8044
2 1/2	127.4300	-43.2490	2.7312
3	174.7300	-56.8050	3.1735
90°	A	B	C
1/4	8.6168	-3.33148	0.2769
3/8	9.3662	-3.6033	0.3010
1/2	10.4900	-4.0350	0.3371
3/4	20.9210	-7.5844	0.6154
1	36.3520	-5.3902	0.4561
1 1/4	76.3400	-25.9400	1.8056
1 1/2	108.1000	-32.3910	1.9378
2	190.7900	-63.7020	4.3916
2 1/2	329.2900	-129.2100	8.7343
3	478.5200	-208.7300	15.5370

Dimensions: 5506



Pipe Size (NPT)		A	C	D	E	G	H	J	K	P	Ports (NPT)	Weight
1/4	inch	8.9	4.3	2.5	1.5	3.0	10.9	11.8	1.4	0.5	1/8	9.7 lb
	mm	226.0	110.0	63.5	37.0	75.0	276.9	299.7	35.0	11.5	-	4.4 kg
3/8	inch	8.9	4.3	2.5	1.5	3.0	10.9	11.8	1.3	0.5	1/8	9.9 lb
	mm	226.0	110.0	63.5	37.0	75.0	276.9	299.7	32.4	12.5	-	4.5 kg
1/2	inch	8.9	4.3	2.5	1.5	3.0	10.9	11.8	1.3	0.6	1/8	9.7 lb
	mm	226.0	110.0	63.5	37.0	75.0	276.9	299.7	32.4	15.0	-	4.4 kg
3/4	inch	8.9	4.3	2.9	1.8	3.0	11.2	12.0	1.4	0.8	1/8	10.1 lb
	mm	226.0	110.0	72.5	45.0	75.0	284.5	304.8	36.3	20.0	--	4.6 kg
1	inch	8.9	4.3	3.2	2.1	3.4	12.2	13.3	1.6	1.0	1/4	11.9 lb
	mm	226.0	110.0	81.0	53.5	86.0	309.9	337.8	40.5	25.0	-	5.4 kg
1-1/4	inch	8.9	4.3	3.7	2.3	3.4	12.4	13.7	1.9	1.3	1/4	13.1 lb
	mm	226.0	110.0	94.5	59.0	86.0	315.0	348.0	47.3	32.0	-	5.9 kg
1-1/2	inch	8.9	4.3	4.3	2.9	3.7	13.6	15.1	2.1	1.5	1/4	17.8 lb
	mm	226.0	110.0	108.0	74.8	94.0	345.4	383.5	54.0	38.0	-	8.1 kg
2	inch	8.9	4.3	4.8	3.3	3.7	14.0	15.8	2.4	2.0	1/4	20.2 lb
	mm	226.0	110.0	121.5	83.5	94.0	355.6	401.3	60.8	50.0	-	9.2 kg
2-1/2	inch	8.9	4.3	6.2	4.3	4.1	15.4	17.6	3.1	2.6	1/4	32.0 lb
	mm	226.0	110.0	157.5	108.8	104.0	137.2	447.0	78.8	66.0	-	14.5 kg
3	inch	8.9	4.3	7.5	4.7	4.7	16.4	19.0	3.7	3.2	1/4	42.5 lb
	mm	226.0	110.0	190.0	118.3	120.0	416.6	482.6	95.0	81.3	-	19.3 kg

Dimensions: 5507



Pipe Size (NPT)		A	C	D	E	F	G	H	J	K	P	Ports (NPT)	Weight
1/4	inch	8.9	4.3	2.5	1.5	1.5	3.0	10.9	11.8	1.4	0.5	1/8	9.7 lb
	mm	226.0	110.0	63.5	37.0	37.8	75.0	276.9	299.7	35.0	11.5	-	4.4 kg
3/8	inch	8.9	4.3	2.5	1.5	1.5	3.0	10.9	11.8	1.3	0.5	1/8	9.9 lb
	mm	226.0	110.0	63.5	37.0	37.8	75.0	276.9	299.7	32.4	12.5	-	4.5 kg
1/2	inch	8.9	4.3	2.5	1.5	1.5	3.0	10.9	11.8	1.3	0.6	1/8	9.7 lb
	mm	226.0	110.0	63.5	37.0	37.8	75.0	276.9	299.7	32.4	15.0	-	4.4 kg
3/4	inch	8.9	4.3	2.9	1.8	1.5	3.0	11.2	12.0	1.4	0.8	1/8	10.1 lb
	mm	226.0	110.0	72.5	45.0	37.8	75.0	284.5	304.8	36.3	20.0	-	4.6 kg
1	inch	8.9	4.3	3.2	2.1	1.5	3.4	12.2	13.3	1.6	1.0	1/4	11.9 lb
	mm	226.0	110.0	81.0	53.5	37.8	86.0	309.9	337.8	40.5	25.0	-	5.4 kg
1-1/4	inch	8.9	4.3	3.7	2.3	1.5	3.4	12.4	13.7	1.9	1.3	1/4	13.1 lb
	mm	226.0	110.0	94.5	59.0	37.8	86.0	315.0	348.0	47.3	32.0	-	5.9 kg
1-1/2	inch	8.9	4.3	4.3	2.9	1.5	3.7	13.6	15.1	2.1	1.5	1/4	17.8 lb
	mm	226.0	110.0	108.0	74.8	37.8	94.0	345.4	383.5	54.0	38.0	-	8.1 kg
2	inch	8.9	4.3	4.8	3.3	1.5	3.7	14.0	15.8	2.4	2.0	1/4	20.2 lb
	mm	226.0	110.0	121.5	83.5	37.8	94.0	355.6	401.3	60.8	50.0	-	9.2 kg
2-1/2	inch	8.9	4.3	6.2	4.3	1.5	4.1	15.4	17.6	3.1	2.6	1/4	32.0 lb
	mm	226.0	110.0	157.5	108.8	37.8	104.0	137.2	447.0	78.8	66.0	-	14.5 kg
3	inch	8.9	4.3	7.5	4.7	1.5	4.7	16.4	19.0	3.7	3.2	1/4	42.5 lb
	mm	226.0	110.0	190.0	118.3	37.8	120.0	416.6	482.6	95.0	81.3	-	19.3 kg