

### Features

- Full port design for unrestricted flow
- Stainless hand lever with latch locking device
- Actuator ready ISO5211 direct mounting pad
- 316SS 3-piece investment cast body
- Swing-out center section
- RTFE (reinforced Teflon) ball seats
- Triple PTFE/Viton live loaded stem seals, adjustable
- Silicone free
- Valves tested accordance with API 598

### Applications

Stainless steel ball valves with PTFE/Viton seals are typically used for on-off control of water, air, oil, vacuum and other media compatible with the materials of construction. Unique 3-piece investment cast bolted body design offers the advantage of a swing-out body for easy inline maintenance. Valves can be direct mounted to air or electric actuators using the standard ISO5211 mounting pad, eliminating the need for extra mounting brackets and couplings. Steam service up to 125 PSI. Suitable for vacuum service up to 29inHg.

### Operation

Turning the hand lever one quarter-turn (90°) rotates the ball from closed to the open position. A latch locking device allows for pad locking the valve in either the open or closed position for safety lockout applications. The valve is actuator ready with standard ISO5211 mounting pad and square output shaft.

### Construction

<b>Valve Body</b>	316SS ASTM A351, CF8M
<b>Ball</b>	316SS CF8M
<b>Stem</b>	316SS
<b>Ball Seats</b>	RTFE (reinforced Teflon)
<b>Stem Seals</b>	PTFE, Viton
<b>Hand Lever</b>	304SS with vinyl cover
<b>Belleville Washers/Adjust. Nut</b>	304SS
<b>Bolts, Washers and Nuts</b>	304SS



### Description

Investment cast 3-piece full port stainless steel body/ball for unrestricted flow and minimum pressure loss. Adjustable live loaded stem seal packing helps compensate for wear, pressure or temperature fluctuations, extending the cycle life of the valve. Blow-out proof stem. Valve body held together with bolts for easy maintenance.

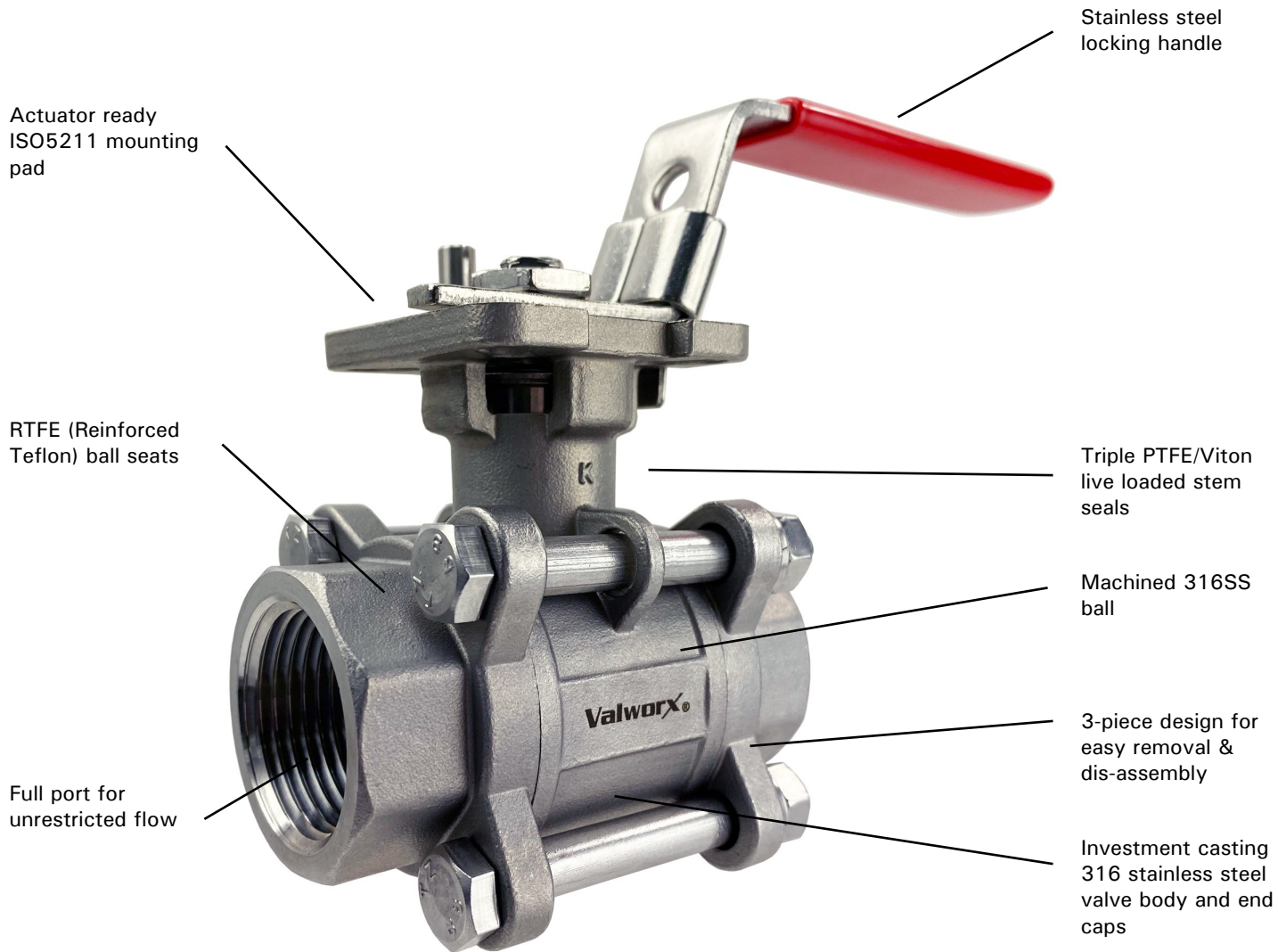
### Standards

- Design: API 608
- Testing: API 598
- Threaded Connection:  
ASME B1.20.1 (NPT)/ ISO 228-1/ BS21
- Pressure/Temperature Rating:  
ASME B16.34
- Marking: MSS SP-25
- CE-PED 2014/68/UE

### Options

- Air Actuators
- Electric Actuators

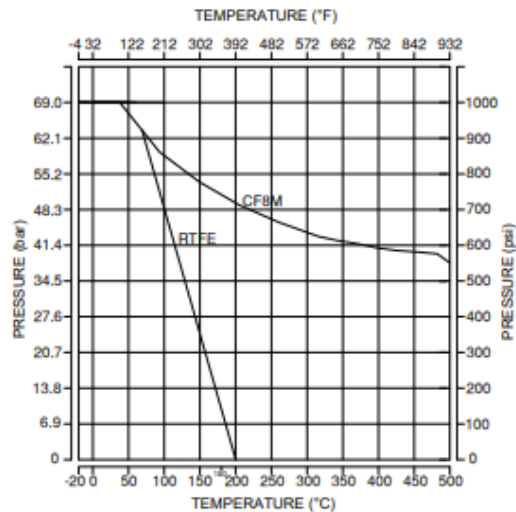
## Construction Features



## Pressure-Temperature Range

**Pressure Rating\*:** 1000 PSI (69 Bar) CWP non-shock 1/4" to 2" sizes  
 800 PSI (55 Bar) CWP non-shock 2-1/2" to 4" sizes  
 125 PSI saturated steam, Vacuum 29inHg

**Temperature Rating:** -4 to 392° F (-20 to 200°C)



## Specifications (English units)

Stock Number	Pipe Size (NPT)	Orifice Diameter (inch)	Cv	Pressure*(PSI)	Torque (inch lbs)	ISO5211 Mount	Weight (lbs)
551502C	1/4	0.5	6.9	1000	49.6	F03/F05	1.2
551503C	3/8	0.5	6.9	1000	49.6	F03/F05	1.4
551504C	1/2	0.6	9.7	1000	49.6	F03/F05	1.2
551506C	3/4	0.8	18.4	1000	85.0	F03/F05	1.6
551508C	1	1.0	55.4	1000	141.6	F03/F05	2.3
551510C	1-1/4	1.3	89.7	1000	148.7	F03/F05	3.5
551512C	1-1/2	1.5	144.2	1000	233.7	F05/F07	5.4
551516C	2	2.0	226.0	1000	318.6	F05/F07	7.8
551520C	2-1/2	2.6	289.0	800	495.6	F07/F10	16.7
551524C	3	3.2	454.0	800	849.7	F07/F10	24.7
551532C	4	3.9	1364.7	800	1327.6	F07/F10	48.1

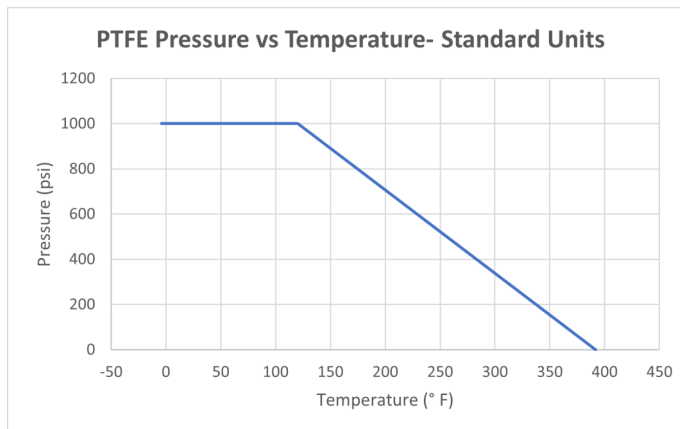
Cv = The GPM of water at 60° F that will pass through the valve with 1 PSI pressure drop

\* Pressure @ 0-100° F (reduced pressure at higher temperatures—see P/T chart)

• Torque at 0 PSI and 75°F

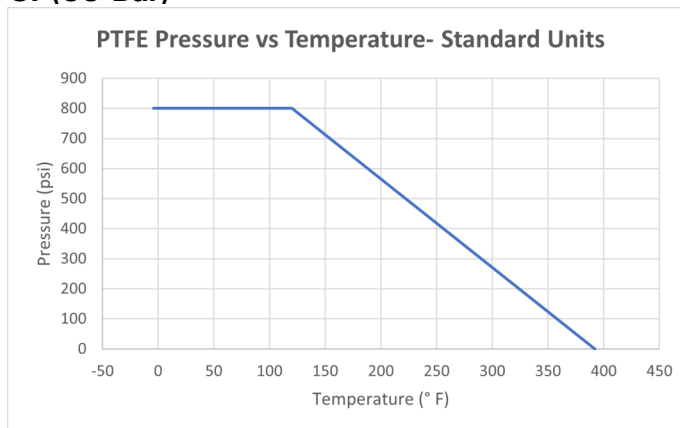
### Pressure/Temp. Chart - 1000 PSI (69 Bar)

P/T Chart (PSI/°F)				
PSI	1000	1000	100	0
°F	-4	50	330	392



### Pressure/Temp. Chart - 800 PSI (55 Bar)

P/T Chart (PSI/°F)				
PSI	800	800	100	0
°F	-4	50	330	392



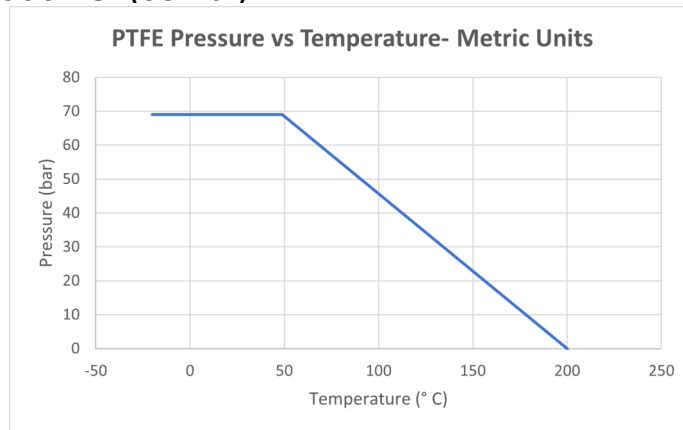
## Specifications (Metric units)

Stock Number	Pipe Size (NPT)	Orifice Diameter (mm)	Kv	Pressure* (Bar)	Torque (Nm)	ISO5211 Mount	Weight (Kg)
551502C	1/4	11.5	5.9	69	5.6	F03/F05	0.6
551503C	3/8	12.5	5.9	69	5.6	F03/F05	0.6
551504C	1/2	15	8.4	69	5.6	F03/F05	0.5
551506C	3/4	20	15.9	69	9.6	F03/F05	0.7
551508C	1	25	47.9	69	16.0	F03/F05	1.0
551510C	1-1/4	32	77.6	69	16.8	F03/F05	1.6
551512C	1-1/2	38	124.7	69	26.4	F05/F07	2.5
551516C	2	50	195.5	69	36.0	F05/F07	3.6
551520C	2-1/2	65	249.7	55	56.0	F07/F10	7.6
551524C	3	80	392.3	55	96.0	F07/F10	11.2
551532C	4	100	1179.1	55	150.0	F07/F10	21.9

\* Pressure range @ -18 to 38° C (reduced pressure for higher temperatures—see P/T chart)

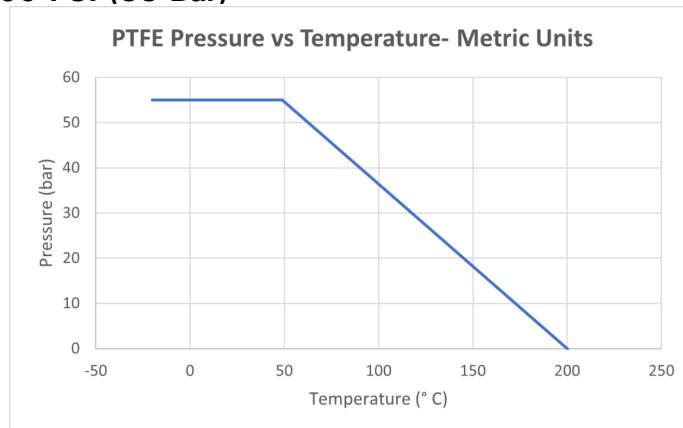
### Pressure/Temp. Chart - 1000 PSI (69 Bar)

P/T Chart (BAR/°C)				
Bar	69	69	7	0
°C	-20	10	166	200

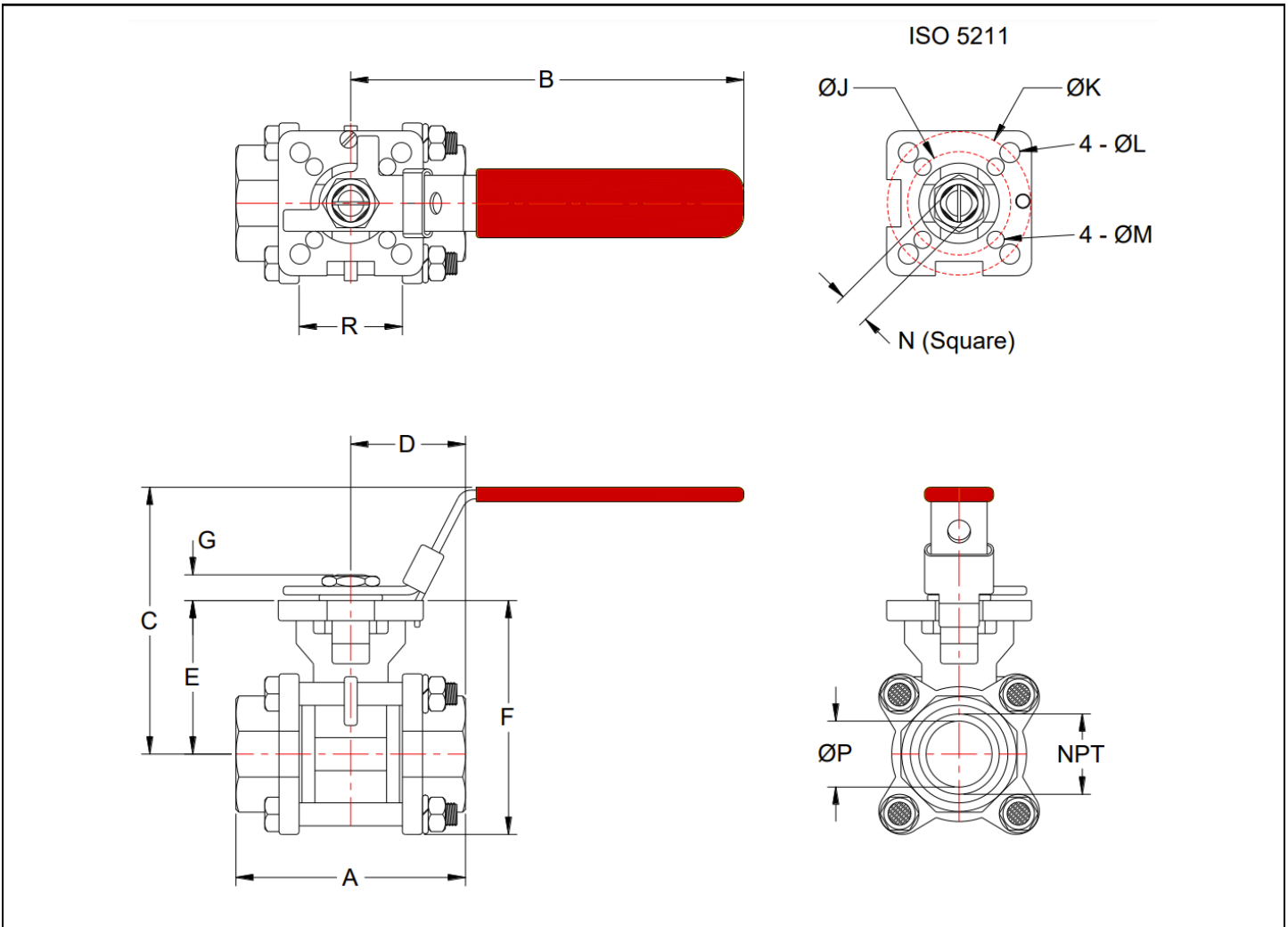


### Pressure/Temp. Chart - 800 PSI (55 Bar)

P/T Chart (BAR/°C)				
Bar	55	55	7	0
°C	-20	10	166	200

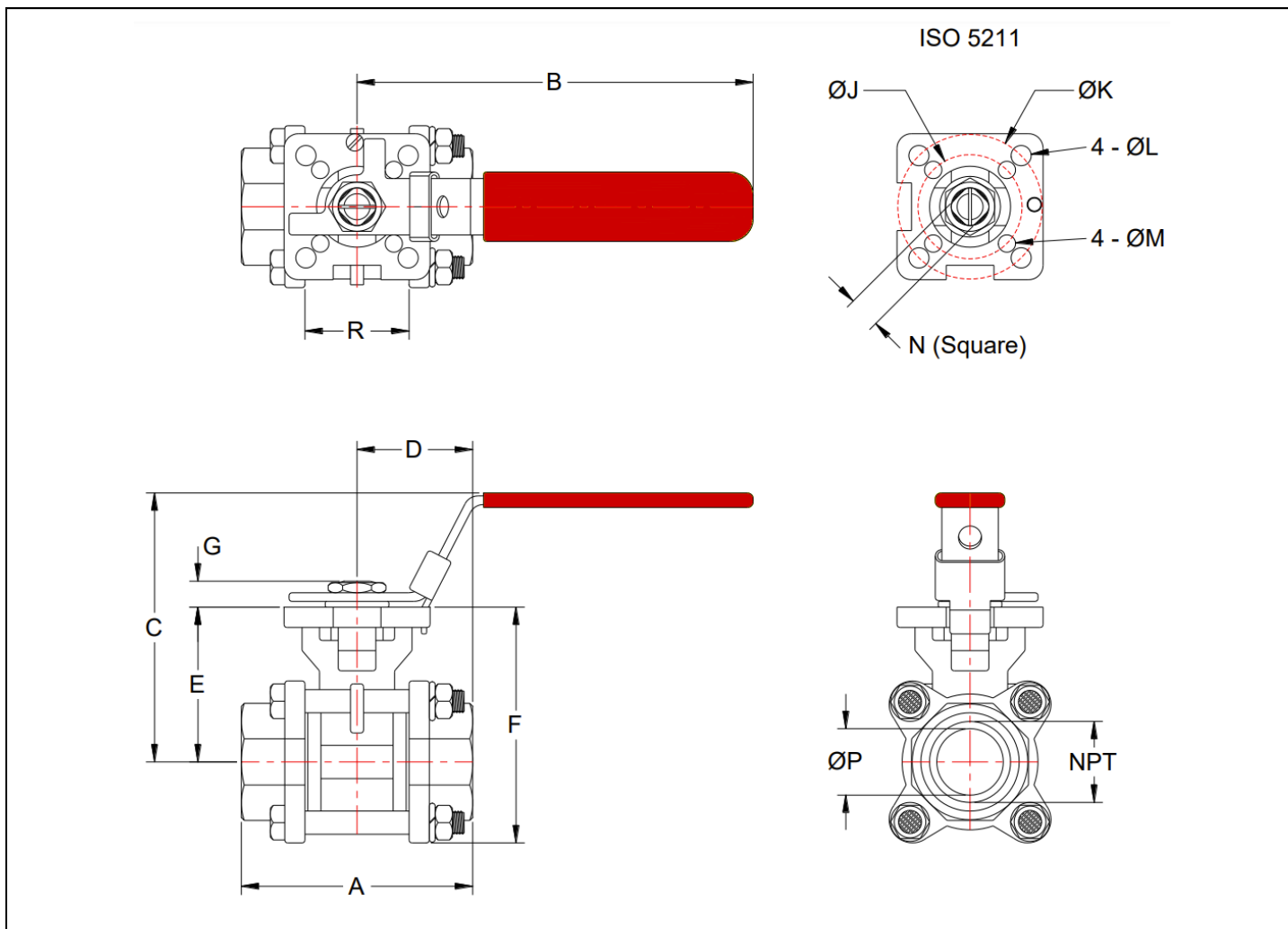


**Dimensions: (inches)**



Pipe NPT	A	B	C	D	E	F	G	J	K	L	M	N	P	R	ISO	Weight (lb)
1/4	2.5	4.4	2.9	1.4	1.5	2.4	0.3	1.4	2.0	0.3	0.2	0.4	0.5	0.9	F03/F05	1.2
3/8	2.5	4.4	2.9	1.3	1.5	2.4	0.3	1.4	2.0	0.3	0.2	0.4	0.5	0.9	F03/F05	1.4
1/2	2.5	4.4	2.9	1.3	1.5	2.4	0.3	1.4	2.0	0.3	0.2	0.4	0.6	0.9	F03/F05	1.2
3/4	2.9	4.4	3.2	1.4	1.8	2.6	0.3	1.4	2.0	0.3	0.2	0.4	0.8	1.1	F03/F05	1.6
1	3.2	5.4	3.7	1.6	2.1	3.2	0.5	1.4	2.0	0.3	0.2	0.4	1.0	1.4	F03/F05	2.3
1-1/4	3.7	7.3	3.9	1.9	2.3	3.6	0.5	1.4	2.0	0.3	0.2	0.4	1.3	1.8	F03/F05	3.5
1-1/2	4.3	7.8	4.5	2.1	2.9	4.4	0.6	2.0	2.8	0.4	0.3	0.6	1.5	2.1	F05/F07	5.4
2	4.8	7.8	4.9	2.4	3.3	5.1	0.6	2.0	2.8	0.4	0.3	0.6	2.0	2.6	F05/F07	7.8
2-1/2	6.2	10.5	6.1	3.1	4.3	6.5	0.7	2.8	4.0	0.4	0.4	0.7	2.7	3.4	F07/F10	16.7
3	7.5	10.5	6.5	3.7	4.7	7.3	0.7	2.8	4.0	0.4	0.4	0.7	3.2	4.1	F07/F10	24.7
4	8.9	12.7	8.5	4.4	6.1	9.4	0.7	2.8	4.0	0.4	0.4	0.7	3.9	6.5	F07/F10	48.1

Dimensions: (mm)



Pipe NPT	A	B	C	D	E	F	G	J	K	L	M	N	P	R	ISO	Weight (kg)
1/4	63.5	112.0	73.0	35.0	37.0	60.0	8.5	36.0	50.0	7.0	6.0	9.0	11.5	24.5	F03/F05	0.6
3/8	63.5	112.0	73.0	32.4	37.0	60.0	8.5	36.0	50.0	7.0	6.0	9.0	12.5	24.5	F03/F05	0.6
1/2	63.5	112.0	73.0	32.4	37.0	60.0	8.5	36.0	50.0	7.0	6.0	9.0	15.0	24.5	F03/F05	0.5
3/4	72.5	112.0	80.8	36.3	45.0	70.1	8.5	36.0	50.0	7.0	6.0	9.0	20.0	27.5	F03/F05	0.7
1	81.0	136.0	90.5	40.5	53.5	81.3	9.5	36.0	50.0	7.0	6.0	9.0	25.0	36.0	F03/F05	1.0
1-1/4	94.5	185.0	98.7	47.3	59.0	92.5	9.5	36.0	50.0	7.0	6.0	9.0	32.0	44.5	F03/F05	1.6
1-1/2	108.0	197.9	115.0	54.0	74.8	112.2	15.0	50.0	70.0	9.0	7.0	14.0	38.0	54.0	F05/F07	2.5
2	121.5	197.9	124.0	60.8	83.5	128.5	15.0	50.0	70.0	9.0	7.0	14.0	50.0	65.5	F05/F07	3.6
2-1/2	157.5	267.0	155.0	78.8	108.8	166.0	18.0	70.0	102.0	12.0	10.0	17.0	65.0	87.5	F07/F10	7.6
3	190.0	267.0	164.5	95.0	118.3	185.0	18.0	70.0	102.0	12.0	10.0	17.0	80.0	104.0	F07/F10	11.2
4	225.0	322.0	216.7	112.5	153.8	238.8	18.0	70.0	102.0	12.0	10.0	17.0	100.0	165.1	F07/F10	21.9