

Features

- Concentric spring loaded design
- Integrally cast body/ retainer eliminates need for stem seal
- ASTM 316 stainless steel cast and machined valve body
- ASTM 316L stainless steel spring and retaining ring
- Viton® disc seal
- PTFE valve body seal
- NPT threaded ends
- Two piece construction
- 100% tested with full traceability of all components

Applications

Stainless steel check valves are typically used to prevent unwanted backflow for water, air, oil and other media compatible with the materials of construction. Suitable for steam service up to 125 PSI. Suitable for vertical installation or horizontal where self-draining is not required.

Operation

The sealing disc on the check valve opens when upstream pressure is sufficient (the cracking pressure), allowing media to flow through the valve. When upstream pressure falls below the cracking pressure an internal spring re-seats the disc, preventing backflow.

Construction

Valve Body	CF8M
Stem with Disc	CF8M
Plate Washer/ Nut	Stainless Steel 304
Spring	Stainless Steel 316
Disc Seat	VITON
CAP	CF8M
Body Gasket	PTFE



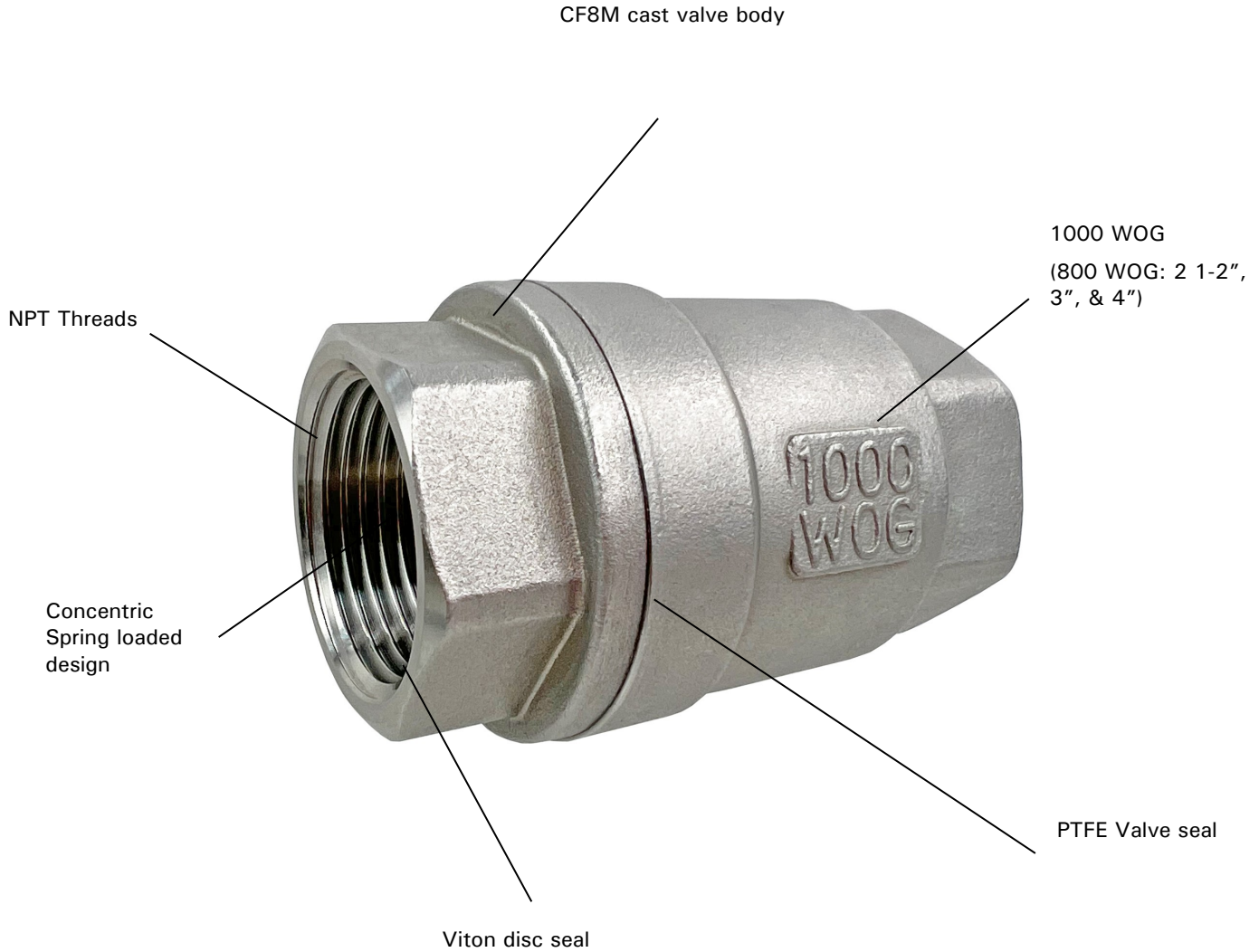
Description

Concentric design, 316 stainless steel check valves can be used in vertical and horizontal applications. Spring loaded design reduces water hammer. Suitable for non-viscous, smooth-flowing non-particulate media.

Standards

- Threaded connection: ASME B1.20.1 (NPT) ISO 228-1
- Inspection: API 598
- Testing: API 598 EN 12266
- CE Conformance: PED 2014/68

Features



Pressure/ Temperature Rating

Pressure Rating: 1/4" - 2": 1000 PSI;
2-1/2" - 4": 800 PSI

Suitable for steam service up to 125 PSI

Temperature Rating: -13 to 356° F (-25 to 180° C)

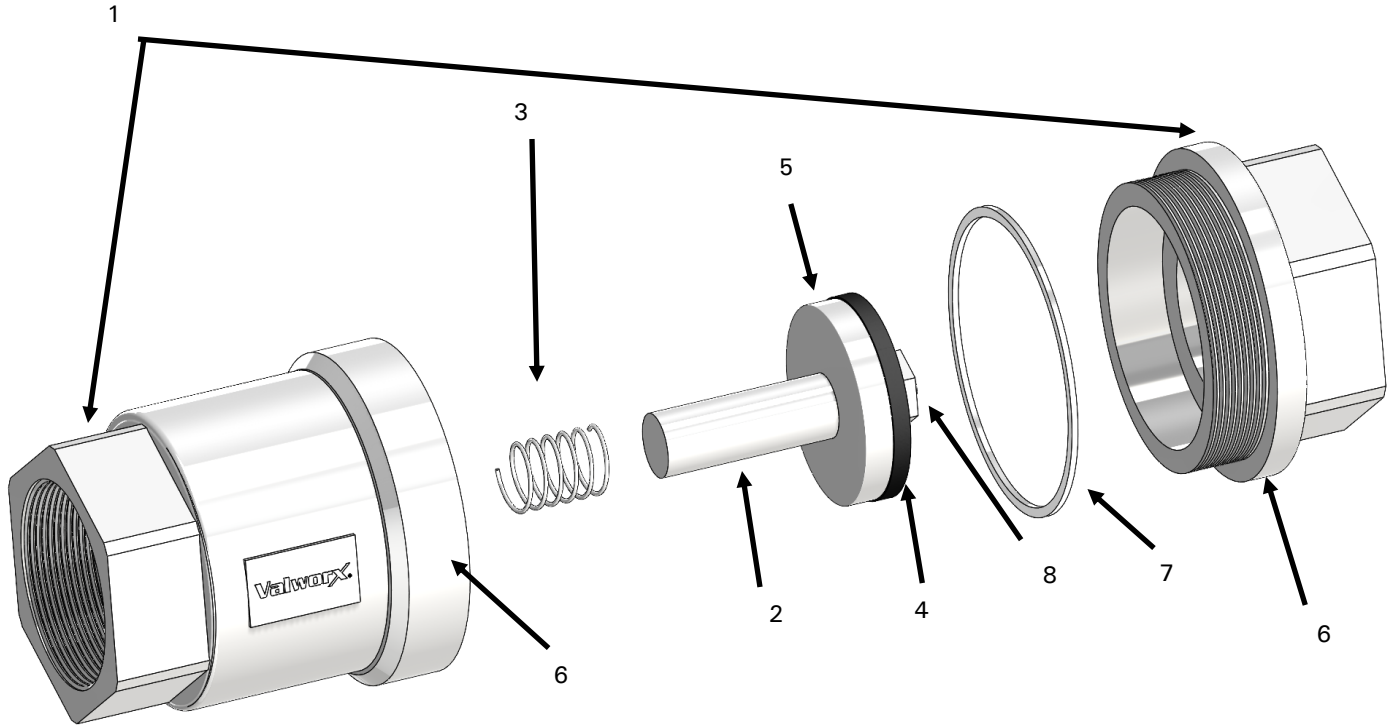
Specifications (English units)

Stock Number	Pipe Size (inch)	Cv	Max Pressure* (PSI)	Cracking Pressure (PSI)	Weight (lbs)
549802	1/4	1.8	1000	0.60	0.4
549803	3/8	2.3	1000	0.60	0.4
549804	1/2	5.0	1000	0.55	0.4
549806	3/4	8.0	1000	0.50	0.6
549808	1	14.0	1000	0.50	1.0
549810	1-1/4	23.0	1000	0.50	1.5
549812	1-1/2	32.0	1000	0.60	2.3
549816	2	47.0	1000	0.60	3.4
549820	2-1/2	88.0	800	0.65	9.5
549824	3	128.0	800	0.65	13.9
549832	4	210.0	800	0.70	24.0

Specifications (Metric units)

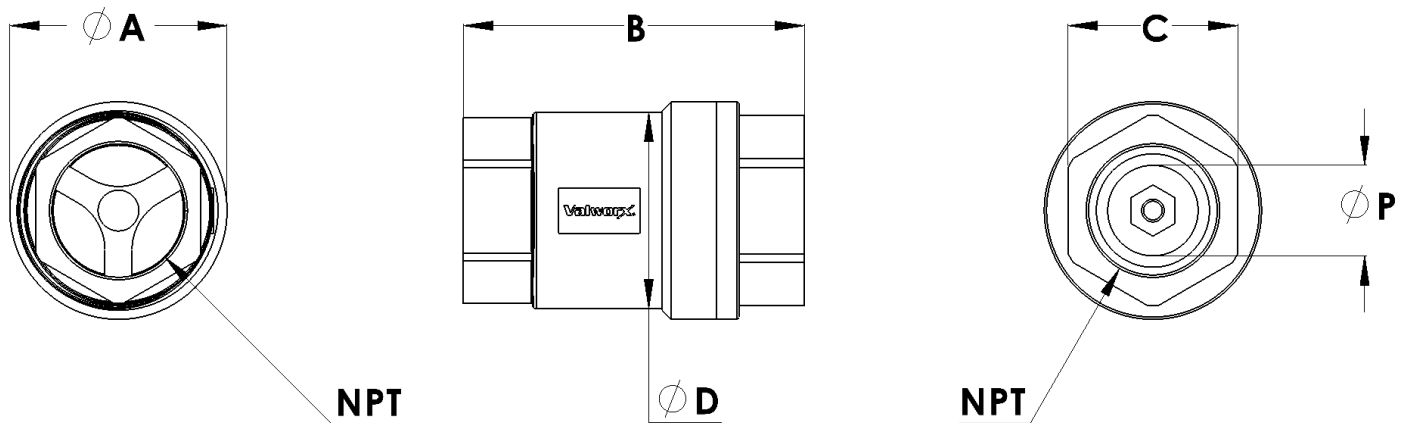
Stock Number	Pipe Size (mm)	Kv	Max Pressure* (Bar)	Cracking Pressure (Bar)	Weight (Kg)
549802	0.45	1.6	69	0.04	0.2
549803	0.49	1.9	69	0.04	0.2
549804	0.59	4.3	69	0.03	0.2
549806	0.79	6.9	69	0.03	0.3
549808	1.00	12.1	69	0.03	0.5
549810	1.25	19.9	69	0.03	0.7
549812	1.50	27.7	69	0.04	1.0
549816	2.00	40.7	69	0.04	1.5
549820	2.56	76.1	55	0.04	4.3
549824	3.15	110.7	55	0.04	6.3
549832	3.94	181.7	55	0.05	10.9

Specifications (Parts Assembly)



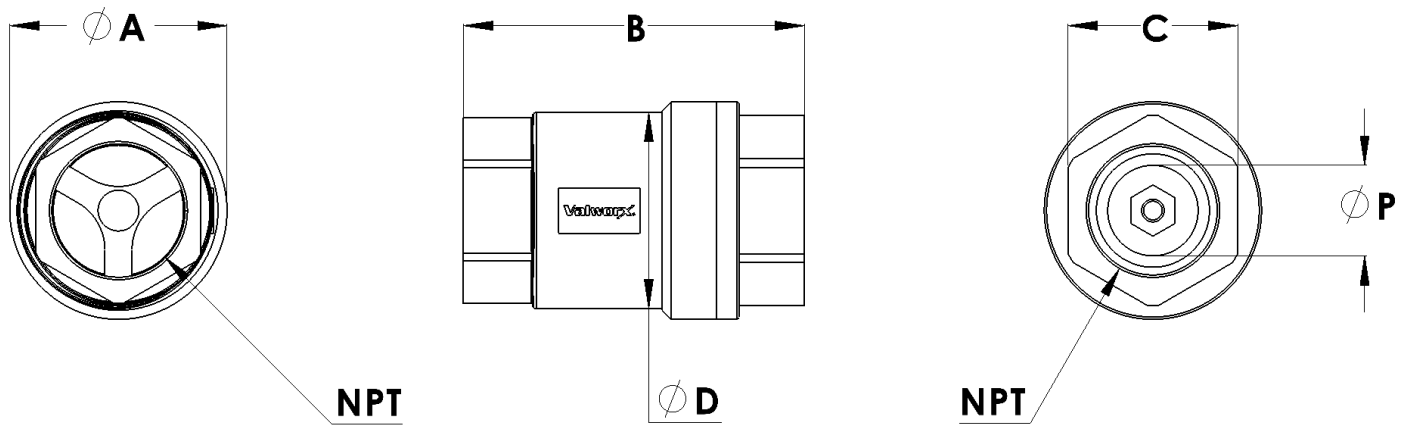
Item	Part	Material
1	Body	CF8M
2	Stem with Disc	CF8M
3	SPRING	SS316
4	Plate Washer	SS304
5	Disc Seat	VITON
6	CAP	CF8M
7	Body Gasket	PTFE
8	NUT	SS304

Dimensions: (inches)



Pipe Size (inch)	A	B	C	D	P
1/4	1.5	2.2	1.0	1.3	0.4
3/8	1.5	2.2	1.0	1.3	0.6
1/2	1.5	2.2	1.0	1.3	0.6
3/4	1.7	2.5	1.2	1.5	0.8
1	1.9	2.9	1.5	1.8	1.0
1 1/4	2.3	3.2	1.8	2.1	1.2
1 1/2	2.8	3.6	2.1	2.6	1.5
2	3.2	3.8	2.5	3.1	1.9
2 1/2	4.7	5.7	3.3	4.5	2.5
3	5.4	6.3	4.1	5.3	3.0
4	6.8	7.3	5.1	6.6	3.7

Dimensions: (mm)



Pipe Size (inch)	A	B	C	D	P
1/4	37.5	56.0	25.0	34.0	11.0
3/8	37.5	56.0	25.0	34.0	14.0
1/2	37.5	56.0	25.0	34.0	15.0
3/4	42.0	63.0	31.0	38.0	20.0
1	48.0	74.0	37.5	44.5	25.0
1 1/4	58.0	81.0	46.5	53.4	30.0
1 1/2	70.0	91.0	53.0	67.1	38.0
2	81.5	97.0	64.5	78.5	47.0
2 1/2	118.5	145.0	84.0	115.5	64.0
3	137.0	160.0	103.0	134.0	76.0
4	173.0	185.0	130.0	168.5	94.0